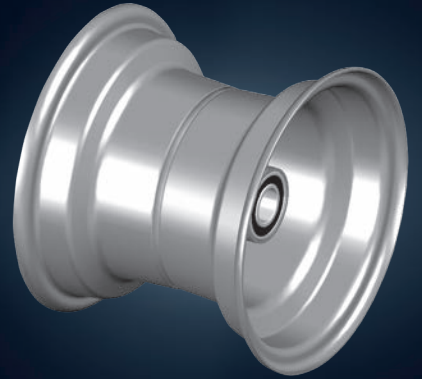
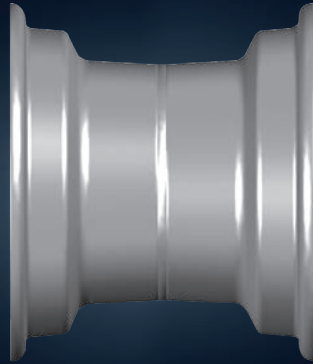


Trelleborg
Agricultural
Wheels



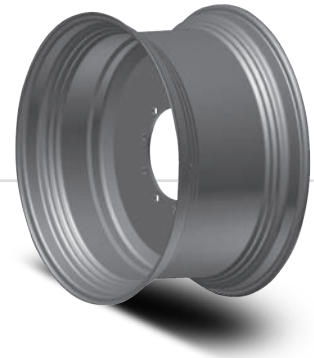
Trelleborg expertise

Trelleborg Wheel Systems is a leading supplier of high-quality wheel assemblies for a wide range of Agricultural, Forestry and LAT equipment. The investments made over the years in

production, combine state of the art design with world class manufacturing technology. The result is high quality wheels to make your working operations more efficient and productive.

Agricultural Wheels

Roll formed wheels with a 5 degree tapered bead seat. Available in W - DW - TW profile. Range from 24 inches to 54 inches in fixed or adjustable configuration.



Implement Wheels

Roll formed wheels with a 5 degree tapered bead seat. Range from 12 inches to 30.5 inches for flotation and forestry application. Also available with valve protectors and rim reinforcement.



LAT Wheels

Roll Formed and Pressed wheels for small agricultural or industrial equipment with a 5 degree tapered beat seat. Range from 3 inches to 16 inches.

Bolted and welded configuration, also available with special features such as hub, axle and bearing.



Printed on
recycled paper

Agricultural Wheels

DIAMETER [INCHES]	WHEEL SIZE	BEAD SEAT ANGLE [°]	RIM THICKNESS [INCHES]	DISC THICKNESS [INCHES]	HUMPS	KNURLING OPTION*	REINFORCEMENT OPTIONS	VALVE GUARD OPTIONS
24	W10Lx24	5	0.16	0.39	NO	NO	N	V1/V8
	W12x24	5	0.16/0.20	0.39	NO	NO	R1	V1/V3/V8
	DW13x24	5	0.24	0.39/0.47	NO	YES	N	V1/V8
	DW14Lx24	5	0.24	0.39/0.47	NO	YES	N	V1/V8
	TW14Lx24	5	0.20	0.39/0.47	NO	YES	R1	V1/V3/V8
	DW15Lx24	5	0.24	0.39/0.47	NO	YES	N	V1/V8
	DW16Lx24	5	0.24	0.39/0.47	NO	YES	N	V1/V8
26	DW20Bx26	5	0.24/0.27	0.47/0.59	NO	YES	R1/R3	V1/V3/V8
	DW25Bx26	5	0.27/0.29	0.59	NO	YES	R1/R3	V1/V3/V8
28	W10x28	5	0.20	0.51	NO	NO	R1/R2/R3	V1/V3/V8
	W12x28	5	0.20	0.51	NO	NO	R1/R2/R3	V1/V3/V8
	DW13Lx28	5	0.24	0.39/0.51	NO	YES	R1/R2/R3	V1/V3/V8
	DW14Lx28	5	0.24	0.39/0.51	NO	YES	R1/R2/R3	V1/V3/V8
	TW14Lx28	5	0.20	0.39/0.51	NO	YES	R1/R2/R3	V1/V3/V8
	W15Lx28 **	5	0.20	0.51	NO	NO	R1/R2/R3	V1/V3/V8
	DW15Lx28	5	0.20/0.24	0.39/0.51	NO	YES	R1/R2/R3	V1/V3/V8
	TW15Lx28	5	0.20	0.39/0.51	NO	YES	R1/R2/R3	V1/V3/V8
	DW16Lx28	5	0.24	0.39/0.51	NO	YES	R1/R2/R3	V1/V3/V8
	TW16Lx28	5	0.20	0.39/0.51	NO	YES	R1/R2/R3	V1/V3/V8
	DW18Lx28	5	0.24	0.39/0.51	NO	YES	R1/R2/R3	V1/V3/V8
	TW18Lx28	5	0.20	0.39/0.51	NO	YES	R1/R2/R3	V1/V3/V8
	DW20Bx28	5	0.24	0.39/0.51	NO	YES	R1/R2/R3	V1/V3/V8
	TW20Bx28	5	0.20	0.39/0.51	NO	YES	R1/R2/R3	V1/V3/V8
	30	DW13Lx30	5	0.20	0.39/0.51/0.59	NO	YES	R1/R2/R3
TW13Lx30 **		5	0.20	0.51	NO	YES	R1/R2/R3	V1/V3/V8
DW14Lx30		5	0.24	0.39/0.51/0.59	NO	YES	R1/R2/R3	V1/V3/V8
DW15Lx30		5	0.20	0.39/0.51/0.59	NO	YES	R1/R2/R3	V1/V3/V8
TW15Lx30		5	0.20	0.51	NO	YES	R1/R2/R3	V1/V3/V8
DW16Lx30		5	0.24	0.39/0.51/0.59	NO	YES	R1/R2/R3	V1/V3/V8
TW16Lx30		5	0.20	0.51	NO	YES	R1/R2/R3	V1/V3/V8
DW18Lx30		5	0.24	0.39/0.51/0.59	NO	YES	R1/R2/R3	V1/V3/V8
TW18Lx30		5	0.20	0.51	NO	YES	R1/R2/R3	V1/V3/V8
DW20Bx30		5	0.24	0.39/0.51/0.59	NO	YES	R1/R2/R3	V1/V3/V8
TW20Bx30		5	0.20	0.51	NO	YES	R1/R2/R3	V1/V3/V8
32	DW23Bx30	5	0.24/0.27	0.39/0.51/0.59	NO	YES	R1/R2/R3	V1/V3/V8
	TW23Bx30	5	0.20	0.51	NO	YES	R1/R2/R3	V1/V3/V8
	W7x32	5	0.20	0.39/0.51/0.59	NO	NO	R1/R2/R3	V1/V3/V8
	W10x32	5	0.24	0.39/0.51/0.59	NO	NO	R1/R2/R3	V1/V3/V8
	DW20Bx32	5	0.28	0.59/0.71	NO	YES	R1/R2/R3	V1/V3/V8
	DW21Bx32	5	0.28	0.59/0.71	NO	YES	R1/R2/R3	V1/V3/V8
	DW23Bx32	5	0.28	0.59/0.71	NO	YES	R1/R2/R3	V1/V3/V8
34	DW27Bx32	5	0.29	0.59/0.71	NO	YES	R1/R2/R3	V1/V3/V8
	DW30Bx32	5	0.28	0.59/0.71	NO	YES	R1/R2/R3	V1/V3/V8
	DW10Lx34	5	0.20	0.39/0.51/0.59	NO	YES	R1/R2/R3	V1/V3/V8
	TW13Lx34	5	0.20	0.39/0.51/0.59	NO	YES	R1/R2/R3	V1/V3/V8
	DW15Lx34	5	0.24	0.39/0.51/0.59	NO	YES	R1/R2/R3	V1/V3/V8
	TW15Lx34	5	0.20	0.39/0.51/0.59	NO	YES	R1/R2/R3	V1/V3/V8
	DW16Lx34	5	0.24	0.39/0.51/0.59	NO	YES	R1/R2/R3	V1/V3/V8
	DW18Lx34	5	0.24	0.39/0.51/0.59	NO	YES	R1/R2/R3	V1/V3/V8
	TW18Lx34	5	0.20	0.39/0.51/0.59	NO	YES	R1/R2/R3	V1/V3/V8
	DW20Bx34	5	0.24	0.39/0.51/0.59	NO	YES	R1/R2/R3	V1/V3/V8
	DW23Bx34	5	0.27	0.39/0.51/0.59	NO	YES	R1/R2/R3	V1/V3/V8
DW24Bx34	5	0.24	0.39/0.51/0.59	NO	YES	R1/R2/R3	V1/V3/V8	
DW25Bx34	5	0.27	0.39/0.51/0.59	NO	YES	R1/R2/R3	V1/V3/V8	

* Trelleborg High Knurling (Advanced Knurling design with increased profile height) is available for all sizes with knurling

** also exists as adjustable

Agricultural Wheels

DIAMETER [INCHES]	WHEEL SIZE	BEAD SEAT ANGLE [°]	RIM THICKNESS [INCHES]	DISC THICKNESS [INCHES]	HUMPS	KNURLING OPTION*	REINFORCEMENT OPTIONS	VALVE GUARD OPTIONS
38	DW10Lx38	5	0.24	0.51/0.59/0.71	NO	YES	R1/R2/R3	V1/V3/V8
	DW12Lx38	5	0.24/0.27	0.51/0.59/0.71	NO	YES	R1/R2/R3	V1/V3/V8
	DW15Lx38	5	0.27	0.51/0.59/0.71	NO	YES	R1/R2/R3	V1/V3/V8
	TW15Lx38	5	0.24	0.39/0.51/0.59	NO	YES	R1/R2/R3	V1/V3/V8
	DW16Lx38	5	0.27	0.51/0.59/0.71	NO	YES	R1/R2/R3	V1/V3/V8
	DW18Lx38	5	0.24/0.27	0.51/0.59/0.71	NO	YES	R1/R2/R3	V1/V3/V8
	TW18Lx38	5	0.24	0.39/0.51/0.59	NO	YES	R1/R2/R3	V1/V3/V8
	DW20Bx38	5	0.27	0.51/0.59/0.71	NO	YES	R1/R2/R3	V1/V3/V8
	TW20Bx38	5	0.24	0.39/0.51/0.59	NO	YES	R1/R2/R3	V1/V3/V8
	DW23Bx38	5	0.27	0.51/0.59/0.71	NO	YES	R1/R2/R3	V1/V3/V8
	TW23Bx38	5	0.24	0.39/0.51/0.59	NO	YES	R1/R2/R3	V1/V3/V8
	DW24Bx38	5	0.27	0.51/0.59/0.71	NO	YES	R1/R2/R3	V1/V3/V8
	DW25Bx38	5	0.27	0.51/0.59/0.71	NO	YES	R1/R2/R3	V1/V3/V8
	TW25Bx38	5	0.24	0.39/0.51/0.59	NO	YES	R1/R2/R3	V1/V3/V8
	DW27Bx38	5	0.27	0.51/0.59/0.71	NO	YES	R1/R2/R3	V1/V3/V8
	TW27Bx38	5	0.24	0.39/0.51/0.59	NO	YES	R1/R2/R3	V1/V3/V8
	DW28Bx38	5	0.27	0.51/0.59/0.71	NO	YES	R1/R2/R3	V1/V3/V8
	DW30Bx38	5	0.28	0.51/0.59/0.71	NO	YES	R1/R2/R3	V1/V3/V8
42	DW16Lx42 **	5	0.24/0.27	0.59/0.71	NO	YES	R1/R2/R3	V1/V3/V8
	TW16Lx42	5	0.24	0.51/0.59/0.63	NO	YES	R1/R2/R3	V1/V3/V8
	DW18Lx42	5	0.27	0.59/0.71	NO	YES	R1/R2/R3	V1/V3/V8
	TW18Lx42	5	0.24	0.51/0.59/0.63	NO	YES	R1/R2/R3	V1/V3/V8
	DW20Bx42	5	0.27	0.59/0.71	NO	YES	R1/R2/R3	V1/V3/V8
	TW20Bx42	5	0.25	0.51/0.59/0.63	NO	YES	R1/R2/R3	V1/V3/V8
	DW23Bx42	5	0.28	0.59/0.71	NO	YES	R1/R2/R3	V1/V3/V8
	TW23Bx42	5	0.25/0.28	0.51/0.59/0.63	NO	YES	R1/R2/R3	V1/V3/V8
	DW25Bx42	5	0.24/0.29	0.59/0.71	NO	YES	R1/R2/R3	V1/V3/V8
	TW25Bx42	5	0.25/0.28	0.51/0.59/0.63	NO	YES	R1/R2/R3	V1/V3/V8
	DW28Bx42	5	0.27/0.29	0.59/0.71	NO	YES	R1/R2/R3	V1/V3/V8
	TW28Bx42	5	0.28	0.51/0.59/0.63	NO	YES	R1/R2/R3	V1/V3/V8
DW30Bx42	5	0.29	0.59/0.71	NO	YES	R1/R2/R3	V1/V3/V8	
TW30Bx42	5	0.29	0.51/0.59/0.63	NO	YES	R1/R2/R3	V1/V3/V8	
44	DW25Bx44	5	0.29	0.71	NO	YES	R1/R2/R3	V1/V3/V8
46	DW12Lx46 **	5	0.24	0.59/0.71	NO	YES	R1/R2/R3	V1/V3/V8
	W13x46	5	0.24	0.59	NO	NO	R1/R2/R3	V1/V3/V8
	DW13Lx46	5	0.24/0.28	0.59/0.71	NO	YES	R1/R2/R3	V1/V3/V8
	TW13Lx46	5	0.24	0.59/0.71	NO	YES	R1/R2/R3	V1/V3/V8
	DW16Lx46	5	0.24	0.59/0.71	NO	YES	R1/R2/R3	V1/V3/V8
	TW16Lx46	5	0.24	0.59/0.71	NO	YES	R1/R2/R3	V1/V3/V8
	DW18Lx46	5	0.29	0.59/0.71	NO	YES	R1/R2/R3	V1/V3/V8
	DW25Bx46	5	0.29	0.59/0.71	NO	YES	R1/R2/R3	V1/V3/V8
DW30Bx46	5	0.29	0.59/0.71	NO	YES	R1/R2/R3	V1/V3/V8	
50	W10Lx50	5	0.24	0.59	NO	YES	R1/R2/R3	V1/V3/V8
	DW11Lx50	5	0.24	0.59	NO	YES	R1/R2/R3	V1/V3/V8
	W12Lx50	5	0.24	0.59	NO	YES	R1/R2/R3	V1/V3/V8
	DW12Lx50	5	0.24	0.59	NO	YES	R1/R2/R3	V1/V3/V8
	DW13x50	5	0.24	0.59	NO	YES	R1/R2/R3	V1/V3/V8
	TW15Lx50	5	0.24	0.59	NO	YES	R1/R2/R3	V1/V3/V8
DW16Lx50	5	0.24	0.59	NO	YES	R1/R2/R3	V1/V3/V8	
54	W10Lx54	5	0.24	0.59	NO	YES	R1/R2/R3	V1/V3/V8
	W12Lx54	5	0.24	0.59	NO	YES	R1/R2/R3	V1/V3/V8

* Trelleborg High Knurling (Advanced Knurling design with increased profile height) is available for all sizes with knurling

** also exists as adjustable

Implement Wheels

DIAMETER [INCHES]	WHEEL SIZE	BEAD SEAT ANGLE [°]	RIM THICKNESS [INCHES]	DISC THICKNESS [INCHES]	HUMPS	KNURLING OPTION*	REINFORCEMENT OPTIONS	VALVE GUARD OPTIONS
12	7.00x12	5	0.12/0.16	0.20/0.24/0.31/0.39	H2	NO	R1	V8
	8.50x12	5	0.12	0.20/0.24/0.31/0.39	H2	NO	R1	V8
	10.50x12	5	0.12	0.20/0.24/0.31/0.39	H2	NO	R1	V8
15	10.00LBx15	5	0.16	0.20/0.24/0.31/0.39	H2	NO	R1	V8
	13.00LBx15	5	0.16	0.20/0.24/0.31/0.39	H2	NO	R1	V8
15.3	9.00x15.3	5	0.16/0.18	0.20/0.24/0.31/0.39	H2	NO	R1	V8
15.5	AG8.00x15.5	15	0.20	0.20/0.24/0.31/0.39	H2	NO	R1	V8
	AG13.00x15.5	15	0.16/0.20	0.20/0.24/0.31/0.39	H2	NO	R1	V8
16	5.50Kx16	5	0.16	0.24/0.31	H2	NO	R1	V8
	W8x16	5	0.16	0.24/0.31	NO	NO	R1	V8
	11x16	5	0.16	0.24/0.31/0.39	NO	NO	R1	V8
16.5	AG8.25x16.5	15	0.16	0.24/0.31	H2	NO	R1	V8
	AG9.75x16.5	15	0.16/0.20	0.24/0.31	H2	NO	R1	V8
17	13.00x17	5	0.16/0.20	0.24/0.31/0.39/0.47	H2	NO	R1	V8
	16.00x17	5	0.20/0.24	0.24/0.31/0.39/0.47	NO	NO	R1	V3/V8
17.5	AG11.75x17.5	15	0.20	0.31/0.39/0.47	NO	NO	R1	V1/V8
18	9x18	5	0.20	0.39	NO	NO	R1	V8
	11x18	5	0.20	0.39	NO	NO	R1	V8
	13x18	5	0.20	0.39	NO	NO	R1	V8
20	W6x20	5	0.16	0.31/0.35	NO	NO	R1	V8
	9x20	5	0.16	0.39	NO	NO	R1	V8
	11x20	5	0.20	0.39	NO	NO	R1	V8
	13x20	5	0.20	0.39	NO	NO	R1	V8
22.5	AG11.75x22.5	15	0.20	0.39/0.47/0.59	TH2	NO	R1	V1/V3/V8
	AG13.00x22.5	15	0.24/0.26	0.39/0.47/0.59	TH2	NO	R1	V1/V3/V8
	AG16.00x22.5	15	0.24/0.26	0.39/0.47/0.59	TH2	NO	R1	V1/V3/V8
	AG20.00x22.5	15	0.24/0.26	0.39/0.47/0.59	TH2	YES	R1	V1/V3/V8
	AG24.00x22.5	15	0.24/0.27	0.39/0.47/0.59	TH2	YES	R1	V1/V3/V8
24.5	AG20.00x24.5	15	0.24	0.47	TH2B	NO	R1	V1/V3/V8
	AG24.00x24.5	15	0.24	0.47	TH2B	YES	R1	V1/V3/V8
	AG13.00x26.5	15	0.24	0.47/0.59	TH2B	NO	R1/R3	V1/V3/V8
	AG16.00x26.5	15	0.24	0.47/0.59	TH2B	NO	R1/R3	V1/V3/V8
26.5	AG20.00x26.5	15	0.24/0.26	0.47/0.59	TH2B	YES	R1/R2/R3	V1/V3/V8
	AG24.00x26.5	15	0.24/0.27	0.47/0.59	TH2B	YES	R1/R2/R3	V1/V3/V8
	AG26.00x26.5	15	0.27	0.47/0.59	TH2B	NO	R1/R2/R3	V1/V3/V8
	AG28.00x26.5	15	0.24	0.47/0.59	TH2B	YES	R1/R2/R3	V1/V3/V8
28.5	AG26.00x28.5	15	0.27	0.59	TH2B	YES	R1/R2/R3	V1/V3/V8
	AG20.00x30.5	15	0.24/0.28	0.51/0.59	TH2B	YES	R1/R2/R3	V1/V3/V8
30.5	AG24.00x30.5	15	0.24/0.28	0.51/0.59	TH2B	YES	R1/R2/R3	V1/V3/V8
	AG28.00x30.5	15	0.27	0.51/0.59	TH2B	YES	R1/R2/R3	V1/V3/V8

* Trelleborg High Knurling (Advanced Knurling design with increased profile height) is available for all sizes with knurling

GLOSSARY

Humps: extra bends inside the rim surface, that help driving at low pressure keeping the tire in place. Trelleborg provides humps for agriculture "H2" and forestry "TH2" or "TH2B".

Reinforcements: additional components needed to strengthen the external rim flanges. Three types depending on work conditions:

R1 - Ring



R2 - Box



R3 - Bar



Valve Protectors: additional components needed to protect the valve when there is risk of damaging. Three types depending on the application and risk of impact.

V1 type



V3 type



V8 type



LAT Wheels

DIAMETER [INCHES]	WHEEL SIZE	BEAD SEAT ANGLE [°]	WELDED WHEEL	BOLTED WHEEL	WHEEL WITH INTEGRATED HUB	WHEEL WITH CENTER BORE
3	1.50-3	5		•	•	
	2.10-4	5		•	•	
4	2.10x4	5	•		•	
	2.50C-4	5		•	•	
	2.75Ax4	5	•		•	
5	3.00Ax5	5	•		•	
	2.50Ax6	5	•		•	
6	2.50A-6	5	•			•
	2.50A-6	5		•		•
	3.00Ax6	5	•		•	
	3.25A-6	5		•		•
	3.50A-6	5	•		•	
	3.50Ax6	5	•			•
	4.50A-6	5		•	•	
	4.50Ax6	5	•		•	
	4.50Ax6	5	•			•
	7.00Ax6	5	•		•	
	2.125-8	5		•		•
	2.125-8	5		•	•	
	2.50Ax8	5	•		•	
	2.50Ax8	5	•			•
	2.50C-8	5		•		•
	2.50Cx8	5	•			•
	2.50Cx8	5	•		•	
2.50x8	5	•			•	
2.50x8	5	•		•		
3.00D-8	5		•	•		
3.00D-8	5		•		•	
3.00Dx8	5	•		•		
3.00Dx8	5	•			•	
8	3.75I-8	5		•		•
	4.25I-8	5		•		•
	4.33R-8	5		•		•
	4.375Ax8	5	•		•	
	4.375Ax8	5	•			•
	5.00x8	5	•			•
	5.375-8	5		•	•	
	5.375Ix8	5	•		•	
	5.375Ix8	5	•			•
	5.50Ax8	5	•		•	
	5.50Ax8	5	•			•
	5.50I-8	5		•		•
	5.70Ax8	5	•			•
	7.00Ix8	5	•		•	
7.00Ix8	5	•			•	
8.50Ix8	5	•		•		
8.50Ix8	5	•			•	
9	4.00E-9	5		•	•	
	4.00E-9	5		•		•
	4.00Ex9	5	•		•	
	4.00Ex9	5	•			•
	6.00E-9	5		•		•

LAT Wheels

DIAMETER [INCHES]	WHEEL SIZE	BEAD SEAT ANGLE [°]	WELDED WHEEL	BOLTED WHEEL	WHEEL WITH INTEGRATED HUB	WHEEL WITH CENTER BORE
10	3.50Bx10	5	•			•
	3.50x10	5	•		•	
	3.50x10	5	•			•
	5.00F-10	5		•		•
	5.00x10	5	•			•
	5.50F-10	5		•		•
	6.00F-10	5		•		•
	6.00x10	5	•		•	
	6.00x10	5	•			•
	6.75x10	5	•			•
	7.00x10	5	•			•
	8.25x10	5	•			•
	8.50x10	5	•			•
12	3.00Dx12	5	•		•	
	3.00Dx12	5	•			•
	4.00x12	5	•		•	
	4.00x12	5	•			•
	4.25x12	5	•		•	
	4.25x12	5	•			•
	5.00S-12	5		•		•
	7.00I-12	5		•		•
	7.00x12	5	•			•
7.00x12	5	•		•		
9.00x12	5	•		•		
13	4.50Jx13	5	•			•
14	5.50Kx14	5	•		•	
	5.50Kx14	5	•			•
14.5	AG6.75x14.5	5	•		•	
	AG6.75x14.5	5	•			•
15	3.00Dx15	5	•			•
	3.50Dx15	5	•			•
	4.00Ex15	5	•		•	
	4.50Ex15	5	•		•	
	4.50Ex15	5	•			•
	4.50Jx15	5	•		•	
	9.00x15	5	•		•	
16	9.00Ex16	5	•		•	

GLOSSARY

Welded Wheels: Two rim halves, symmetrical or asymmetrical, welded together.

Bolted Wheels: Two symmetrical rim halves bolted together.

Wheel with integrated hub: drop-centered rim or two half bare rims, welded or bolted together, and a central integrated hub.

Wheel with center bore: drop-centered rim or two half bare rims, welded or bolted together, and a disc with a central bore.



Trelleborg is a world leader in engineered polymer solutions that seal, damp and protect critical applications in demanding environments. Our innovative engineered solutions accelerate performance for customers in a sustainable way. The Trelleborg Group has local presence in over 50 countries around the world.

WWW.TRELLEBORG.COM/WHEELS



facebook.com/TrelleborgAgri
twitter.com/TrelleborgWheel
youtube.com/TrelleborgAgri
flickr.com/TrelleborgAgri
linkedin.com/company/trelleborgwheelsystems
instagram.com/TrelleborgAgri



Trelleborg Wheel Systems Americas, Inc
570 Trelleborg Drive, Spartanburg, SC 29301
Toll Free Phone Number: 1-866-633-8473
www.trelleborg.com/wheels/us