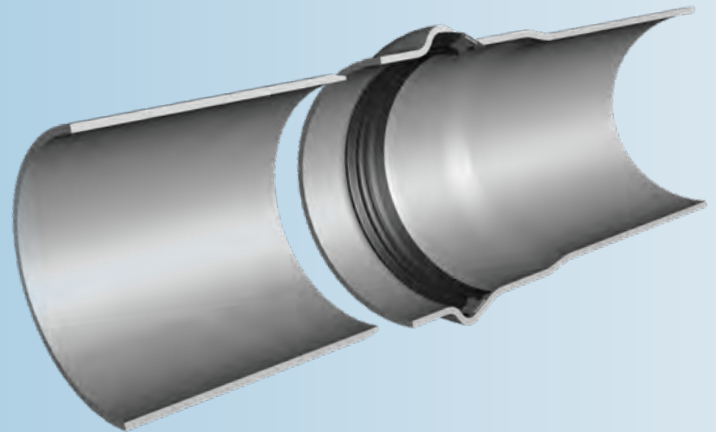


Trelleborg 559 Rieber Pressure Metric

Integrated seal
for plastic
pressure pipes



KEY FEATURES & BENEFITS

- **Greater joint reliability due to joint tolerance reduction**
- **Cannot be displaced or lost during stocking, transportation and installation**
- **Improved productivity and lower scrap rates**

SEAL DESIGN & FUNCTION

The Trelleborg 559 Rieber Pressure is integrated into the pipe during the manufacturing process. It uses the mandrel together with the seal as a tool to form the pipe socket. This ensures that the seal always remains in the correct position in the joint.

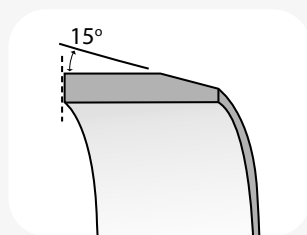
The seal is equally effective under both positive and negative pipe pressure (vacuum). Under positive pressure, the higher the pressure the greater the sealing force. Under vacuum, the seal maintains a positive sealing force against spigot and socket, preventing sand or soil to enter the joint.

Trelleborg 559 Rieber Pressure is a composite seal consisting of:

1. A flexible rubber element to seal effectively against spigot and socket
2. A treated metal insert which holds the seal firmly in place

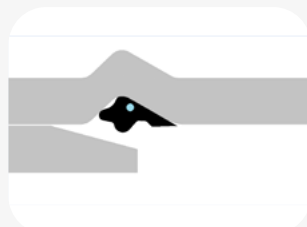


JOINT ASSEMBLY

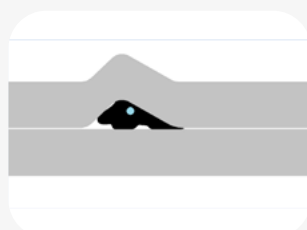


Inspect the spigot, socket and seal for damage and remove any dirt or dust prior to assembly.

Chamfer the spigot end and remove all burrs.



Apply lubricant to the spigot end and immediately bring it into contact with the socket.



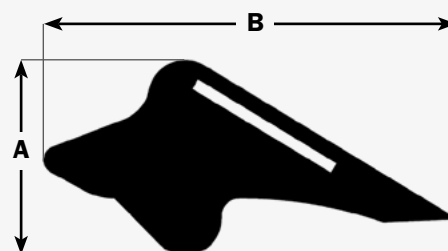
Align spigot and socket, and slide the spigot into the pipe, past the seal.



As the pipes are joined the rubber sealing element is deformed and creates pressure against both spigot and socket resulting in a watertight seal.

SIZE CHART

PIPE SIZE (mm)	A (mm)	B (mm)
100	12.5	27.3
450	28.8	59.5
500	32.0	68.5
630	36.0	77.0
800	42.0	92.0
900	98.4	46.0
1000	107.0	50.0
1200	119.8	56.0



APPROVALS

- Certimex
- CSA

STANDARDS

- NSF/ANSI 61
- ASTM F477
- NOM-001-CONAGUA
- NMX T-021
- ISO 4733

MATERIAL

- Synthetic SBR rubber, available in EPDM and Nitrile by special order
- Hardness 55±5 IRHD
- Available in oil resistant material

Trelleborg proven quality:



TRELLEBORG

WWW.TRELLEBORG.COM/EN/SEALS-AND-PROFILES/