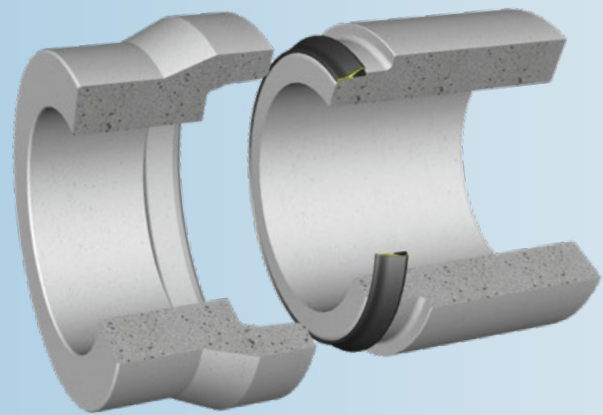


Trelleborg 146 Pre-Lube Seal

**Pre-lubricated seal
for concrete pipes
and manholes**



KEY FEATURES & BENEFITS

- **Large contact width bridges minor surface imperfections**
- **High level of operational reliability**
- **Excellent performance for jacking pipe applications**

SEAL DESIGN & FUNCTION

Trelleborg 146 is a pre-lubricated sliding seal that is stretched onto the spigot of the pipe or manhole. Additional lubricant is not required for joint assembly.

The joint is designed so that the pre-lubricated mantle rolls onto the top of the spigot shoulder and into the small gap between spigot and socket during installation. This prevents concrete to concrete contact and gives efficient distribution of transverse shear loads across the joint. The design optimizes joint performance and provides an exceptionally high level of operational reliability.

The seal is easy and clean to handle as the lubricant is enclosed in the sliding mantle. This allows installation with very little force as there is no friction between the rubber and concrete. Joint performance is dependent on dimensional accuracy and surface finish of socket and spigot.

Trelleborg 146 Pre-Lube Seal meets all relevant current European standards.

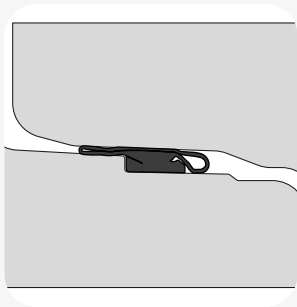
JOINT ASSEMBLY



Stretch the seal onto the spigot and position against the shoulder.



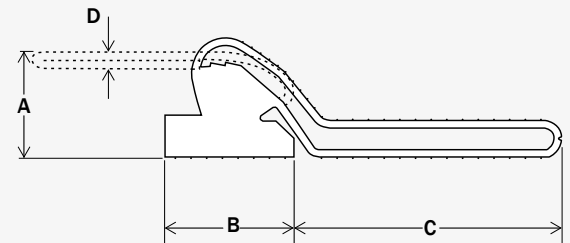
Equalize the stress in the seal by lifting and releasing at a few points. The seal must sit evenly against the spigot shoulder all around the manhole. Lubrication of the socket or spigot is not required.



Center the joint and assemble. The position of the seal in the final joint is shown. If re-jointing is required ensure the sliding skin is drawn back to the original position.

SIZE CHART

A (mm)	B (mm)	C (mm)	D (mm)	Joint gap (mm)
13.5	17.0	25.0	2.5	8.4±1.3
16.5	21.5	30.0	2.5	10.3±1.6
18.5	23.0	33.0	3.3	11.4±1.8
20.0	26.5	36.0	3.2	12.3±2.0
22.5	29.5	69.0	3.2	13.6±2.2
24.5	32.5	40.0	3.5	14.9±2.3
28.0	37.0	65.0	4.6	17.1±2.6
30.0	39.0	67.5	5.0	18.2±2.9
32.0	42.3	60.0	5.2	19.3±3.0
34.0	44.9	63.7	5.4	20.5±3.2
36.0	47.6	67.5	5.8	21.5±3.5



STANDARDS AND APPROVALS

- CE-marking
- ISO 9001
- BSI "Kitemark"
- EN 681-1

MATERIAL

- Synthetic SBR or EPDM rubber
- Hardness 40±5 IRHD
- Protected against ozone

Authorities we cooperate with:



TRELLEBORG

WWW.TRELLEBORG.COM/PIPE-SEALS