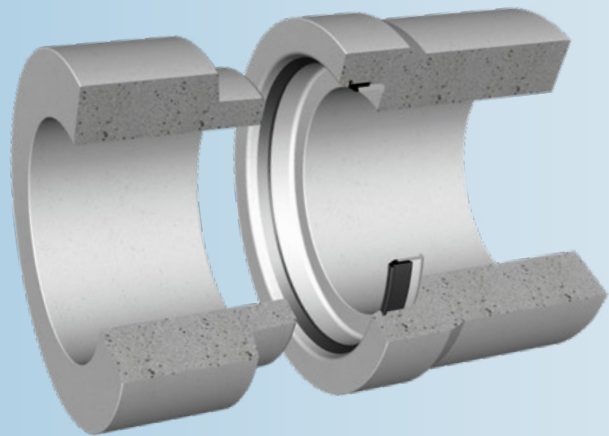


Trelleborg 103 Integrated Glipp

Integrated seal for concrete pipes



KEY FEATURES & BENEFITS

- Easy to center during jointing
- Ensures the correct seal is always used
- No push-back during joint assembly

SEAL DESIGN & FUNCTION

Trelleborg 103 Glipp is an integrated seal that is cast into the socket during pipe manufacture. The seal can also be used for concrete pipe connections to manholes. The elastomeric sealing element is a combined lip and compression seal.

The cast in protective strip of cellular plastic forms part of the mould equipment together with the rubber sealing element. During manufacture, storage, transport and handling the protective strip remains in the pipe socket. It prevents sand, clay, ice or snow entering the sealing area. It is removed before the pipes are assembled.

The compression section absorbs transverse shear load in the joint and prevents concrete to concrete contact. The retaining elements or anchors are cast into the concrete during pipe manufacture and secure the seal in the correct position. The slurry lip seals against the pallet preventing ingress during concrete compaction.

Trelleborg 103 Integrated Glipp seal meets all relevant European standards. Joint performance is dependent on dimensional accuracy and surface finish of the socket and spigot.

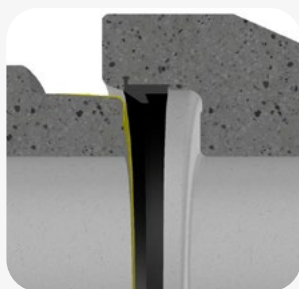
JOINT ASSEMBLY



Inspect the pipes and ensure they are in good condition. The white protective strip in the socket helps to keep the sealing area free from dirt, mud and gravel.



Remove the protective strip by gripping the tape and pulling towards the center of the pipe. Small parts of the strip can remain in the pipe without affecting the joint performance.



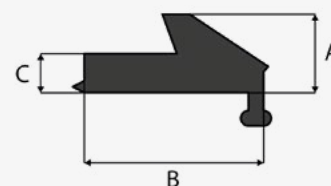
Ensure the spigot and socket are clean. Apply lubricant to the spigot. This should be spread evenly over the entire surface paying special attention to the front radius of the spigot.



Center the spigot into the socket and push the pipes together. The socket design and wedge shaped seal provide a funnel action and help center the pipes.

SIZE CHART

| Pipe DN | A (mm) | B (mm) | C (mm) |
|-----------|--------|--------|--------|
| 150-200 | 10.0 | 24.5 | 5.0 |
| 225-300 | 12.0 | 28.5 | 6.0 |
| 300-675 | 14.0 | 33.8 | 7.0 |
| 700-1200 | 18.0 | 43.4 | 9.0 |
| 1200-1600 | 22.0 | 53.0 | 11.0 |
| 1800-2100 | 26.0 | 62.4 | 13.0 |
| >2100 | 30.0 | 72.0 | 15.0 |



STANDARDS AND APPROVALS

- CE-marking
- ISO 9001
- BSI "Kitemark"
- EN 681-1

MATERIAL

- Synthetic SBR or EPDM rubber
- Hardness 40±5 IRHD
- Protected against ozone, oil resistant grades are available on request

Authorities we cooperate with:



TRELLEBORG

WWW.TRELLEBORG.COM/PIPE-SEALS