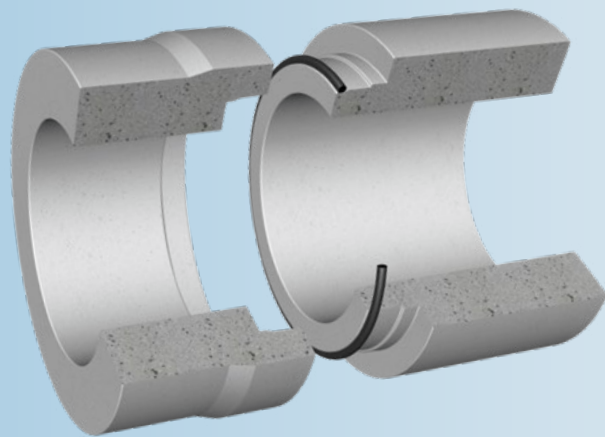


Trelleborg 101 G-Ring

**Compression seal
for gravity and low
pressure concrete
pipes**



KEY FEATURES & BENEFITS

- **Increased stability on spigot during pipe centering and jointing**
- **The teardrop shaped profile prevents the pipes from separating once jointed**
- **Suitable for low pressure pipelines**

SEAL DESIGN & FUNCTION

Trelleborg 101 G-Ring is a compression seal which is rolled into place during joint assembly.

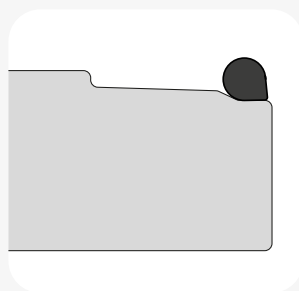
The seal is designed, primarily, for non-pressure concrete pipelines, but if the joint is correctly designed, it can also be used for pressure pipelines. The compression of the seal varies according to the joint gap and tolerance chosen.

This joint design is standard in many countries.

Joint performance is dependent on dimensional accuracy and surface finish of socket and spigot.

Trelleborg 101 G-Ring seal meets all relevant current European standards.

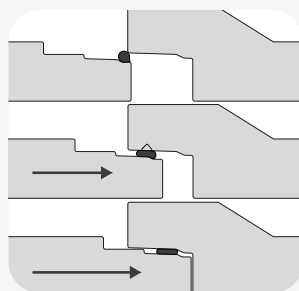
JOINT ASSEMBLY



Ensure both spigot and socket are clean. Stretch the seal onto the spigot with the point of the G-Ring facing outward



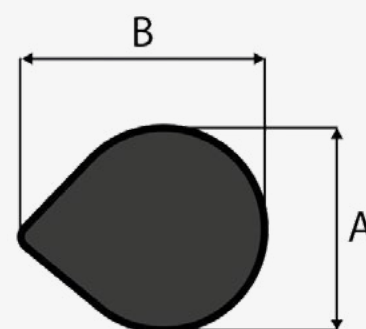
Equalize the stress in the seal by lifting and releasing at a few point. The seal must sit evenly all around the pipe.



Center the pipes and assemble by using suitable equipment. The G-ring will roll over and seat itself in the socket.

SIZE CHART

A (mm)	B (mm)
10.0	12.0
12.0	14.4
13.0	15.6
14.0	16.8
16.0	19.2
18.0	21.6
20.0	24.0
22.0	26.4
24.0	28.8
28.0	33.6



APPROVALS

- EN 681-1

MATERIAL

- Synthetic SBR or EPDM rubber
- Hardness 40±5 IRHD
- Protected against ozone, oil resistant grades are available on request

Authorities we cooperate with:



TRELLEBORG

WWW.TRELLEBORG.COM/PIPE-SEALS