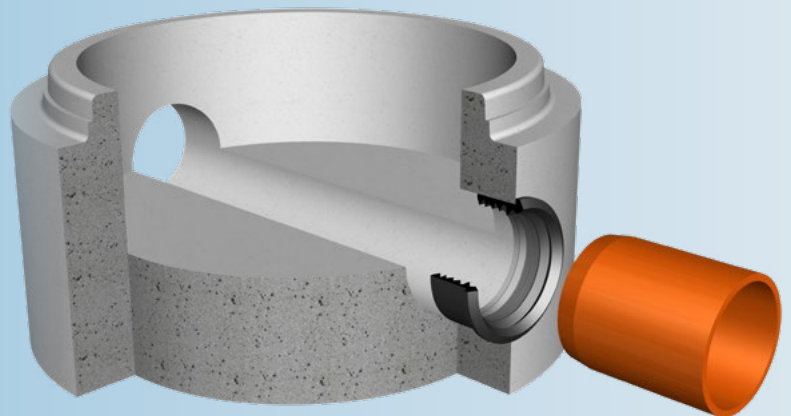


# Trelleborg 945 Five Lip Connector

**Flexible connection system for laterals to pipelines and large double walled plastic manholes**



## KEY FEATURES & BENEFITS

- **Can be used with both prefabricated and core drilled holes**
- **Excellent transverse shear load & angular deflection performance**
- **Extra wide profile covers exposed steel in cored holes**

## SEAL DESIGN & FUNCTION

Trelleborg 945 Five Lip Connector is a rubber seal for flexible connection of pipes to manholes and laterals to pipelines.

It can be used with both prefabricated and core drilled holes.

The multiple lip design allows ease of jointing and provides excellent resistance to transverse shear load whilst allowing a high level of angular deflection in the joint.

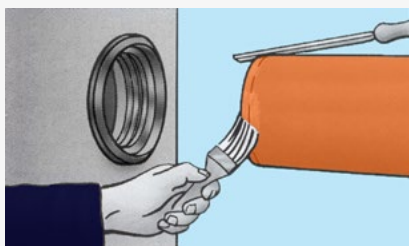
The extra wide profile can cover exposed steel reinforcement in core drilled holes protecting it from potential corrosion.



## JOINT ASSEMBLY



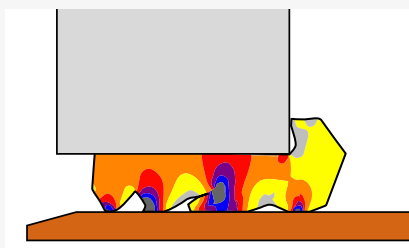
Press the seal into the hole. Do not use lubricant.



Chamfer the edge of the connecting pipe and lubricate it with Trelleborg 992 Pipe & Manhole Lube.



Center the spigot of the pipe and push it into the seal until the pipe end is flush with the inner wall.



When the pipe is pushed into the manhole the rubber sealing element is designed to deform. This creates pressure on both spigot and socket, ensuring a water-tight seal.

## MATERIAL

- Synthetic rubber SBR or EPDM
- Hardness 40+/-5 IRHD
- Protected against ozone
- Available in oil resistant material

## SIZE CHART

DN	OD (mm)	Drilled hole
110	142	138
160	190	186
200	233	226
250	287	276
315	351	341
400	439	426



Please contact us for technical advice and joint design recommendations to meet your performance requirements.

Pipe connections with Trelleborg 945 shall always be laid in accordance with applicable standards and regulations.

## STANDARDS

- CE-marking
- BSI "Kitemark"
- EN 681-1
- ISO 9001

Authorities we cooperate with:



# TRELLEBORG

WWW.TRELLEBORG.COM/PIPE-SEALS