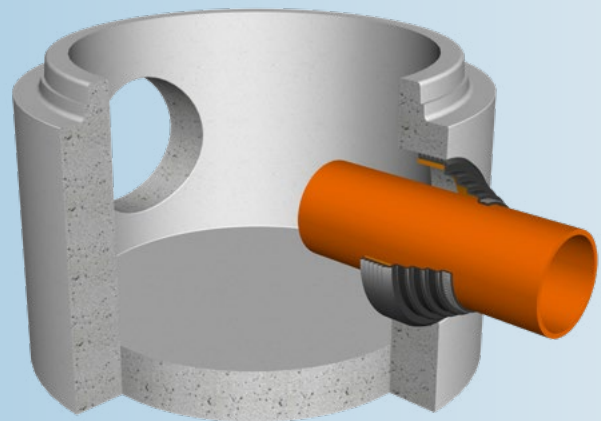


Trelleborg 911 Multi Connector

Flexible connection system for pipes to manholes and for passing pipes through concrete walls and structures



KEY FEATURES & BENEFITS

- Can be used with both prefabricated and core drilled holes
- Excellent angular deflection performance
- Accommodates wide range of pipe diameters

SEAL DESIGN & FUNCTION

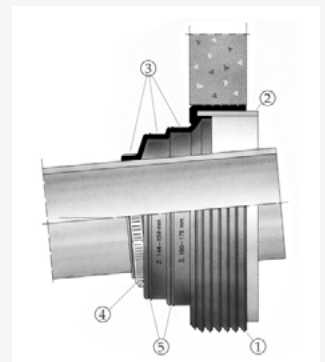
Trelleborg 911 Multi Connector is a combination of an elastomeric sealing element and a plastic support ring which gives various connection possibilities on the construction site.

The hole required can be either prefabricated or drilled with a core bit. The external ribs (1) are forced against the inside of the hole when the seal is inserted into it.

The plastic support ring (2) should be tapped into place with a rubber or plastic mallet. The pipe that is to be connected to the manhole is inserted through the coupling (3), which has three or four collars, for different sizes of pipe.

If a larger pipe is to be inserted then the surplus, smaller section of the coupling is cut away using the appropriate recess (5).

The coupling is sealed to the pipe by means of a stainless steel clamping band (4). The clamping band that is supplied with the coupling will fit all the pipe sizes that the connector is designed for.



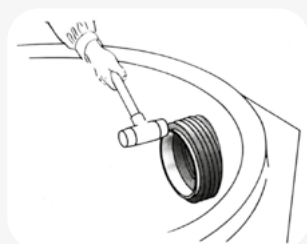
JOINT ASSEMBLY



Lubricate the drilled or prefabricated hole using Trelleborg 992 Lubrication.



Decide which size collar is appropriate for the connecting pipe. Cut away the surplus part of the coupling using a knife. A special recess is provided for this purpose.



Place the seal in the hole and tap it into the correct position using a rubber or plastic mallet. Tap the end of the short plastic supporting ring that is fitted in the seal.



Lubricate with a thin coat of Trelleborg 992 Lubrication over the rubber part. Connect the pipe and fit the clamping band in place. Tighten the screw so that the rubber is compressed against the connecting pipe.

SIZE CHART

Technical data	911-1B	911-1	911-2	911-2B	911-3	911-3B	911-4
Pipe diameter range	24-50	60-100	105-175	105-226	195-285	250-368	286-400
Article no	1500421	1602823	1562020	1782324	1632223	1993923	1774721
Connect. pipe diam. (1) Max. angular deflection	25 mm 40°	60-70 mm 45°	105-125 mm 45°	105-125 mm 45°	195-226 mm 35°	250-279 mm 40°	286-330 mm 30°
Connect. pipe diam. (2) Max. angular deflection	32 mm 35°	71-84 mm 30°	144-159 mm 30°	144-159 mm 30°	235-275 mm 30°	280-309 mm 30°	331-375 mm 15°
Connect. pipe diam. (3) Max. angular deflection	40 mm 33°	85-100 mm 15°	160-175 mm 15°	160-175 mm 20°	276-285 mm 15°	310-339 mm 20°	376-400 mm 10°
Connect. pipe diam. (4) Max. angular deflection	50 mm 30°	-	-	195-226 mm 10°	-	340-368 mm 10°	-
Drill Ø, mm	138 ⁺⁰ ₋₁	138 ⁺⁰ ₋₁	250 ⁺⁰ ₋₂	305 ⁺⁰ ₋₂	341 ⁺⁰ ₋₂	426 ⁺⁰ ₋₂	475 ⁺⁰ ₋₂

STANDARDS & APPROVALS

- CE-marking
- BSI "Kitemark"
- ISO 9001
- EN 681-1

MATERIAL

- Synthetic rubber EPDM or SBR
- Hardness 40+/-5 IRHD

Authorities we cooperate with:



TRELLEBORG

WWW.TRELLEBORG.COM/PIPE-SEALS