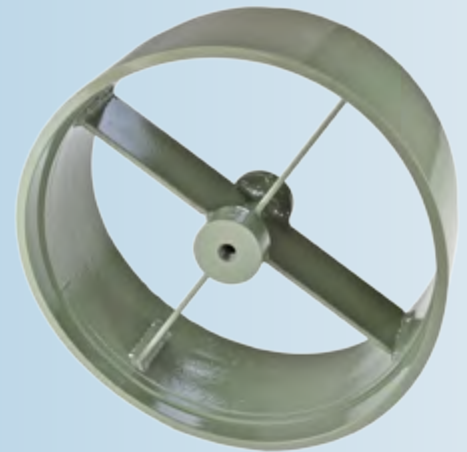


Steel Holeformers

The long-term durability and accuracy of NPC Steel Holeformers ensure precise manhole openings every time.



Steel Holeformers are designed for:

- Long life
- Ease of Handling
- Efficient Installation

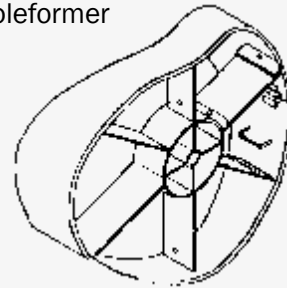
Manufactured from virtually indestructible heavy-gauged steel

Manufactured to exact customer requirements

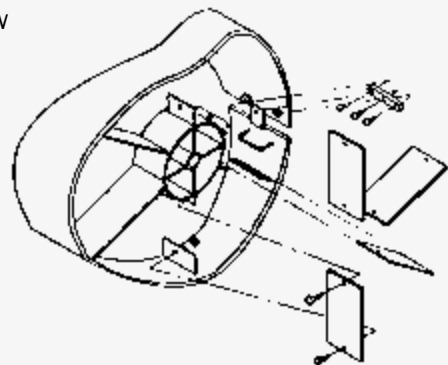
Specifications cover a complete range of sizes and applications

Holeformers are collapsible for easy installation and removal

Collapsible Holeformer



Exploded View



Standard Sizes Available

Hole Size (inches)	Manhole Size (inches) / Wall Thickness				
18	48/5	60/6	72/7	84/8	96/9
20	48/5	60/6	72/7	84/8	96/9
22	48/5	60/6	72/7	84/8	96/9
24	48/5	60/6	72/7	84/8	96/9
26	48/5	60/6	72/7	84/8	96/9
34	48/5	60/6	72/7	84/8	96/9
36	48/5	60/6	72/7	84/8	96/9
38		60/6	72/7	84/8	96/9
40		60/6	72/7	84/8	96/9
42			72/7	84/8	96/9
44			72/7	84/8	96/9
46			72/7	84/8	96/9
48			72/7	84/8	96/9
50				84/8	96/9
52				84/8	96/9
54				84/8	96/9
56				84/8	96/9
58				84/8	96/9
60				84/8	96/9

Larger Sizes available, half sizes and other requirements quoted upon request.

Manufacturing lead time (made to order)



TRELLEBORG

WWW.TRELLEBORG.COM/PIPE-SEALS