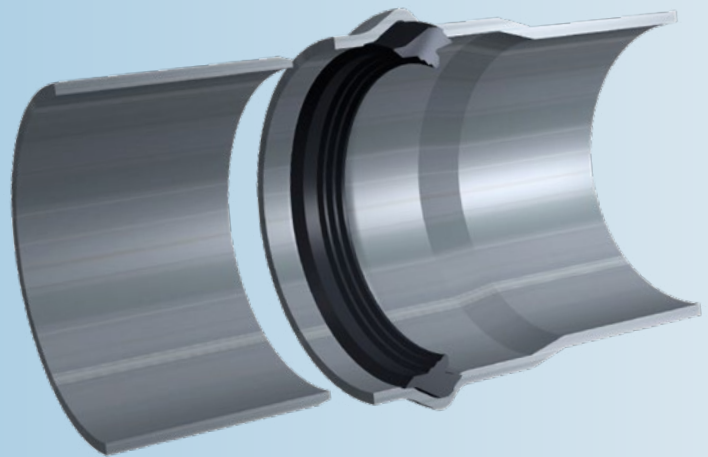


# Trelleborg 575 Anger

**Non-integrated seal  
for plastic pressure  
pipes, wastewater  
and cast iron conduits**



## KEY FEATURES & BENEFITS

- **Easy to fit**
- **Low jointing force – minimal risk of seal displacement**
- **High performance – low cost solution**

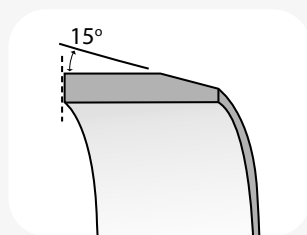
## SEAL DESIGN & FUNCTION

The Trelleborg 575 Anger seal is a combined lip and compression seal. The seal is positioned in the socket by the pipe manufacturer.

The “main sealing element” comprises a combined lip and compression section. The “front and rear lips” locate the seal in the socket and absorb any permissible variation in the groove.

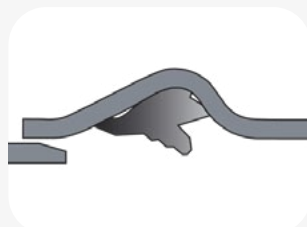
The Trelleborg 575 Anger seal meets or exceeds current European standards for both pressure and vacuum, deflection and shear load. Furthermore, the seal design gives low assembly forces making pipe jointing easier.

## JOINT ASSEMBLY

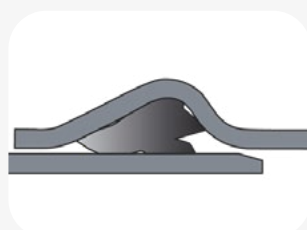


Inspect the spigot, socket and seal for damage and remove any dirt or dust prior to assembly.

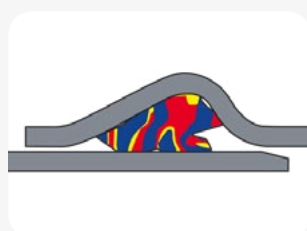
Chamfer the spigot end and remove all burrs.



Apply lubricant to the spigot end and immediately bring it into contact with the socket.



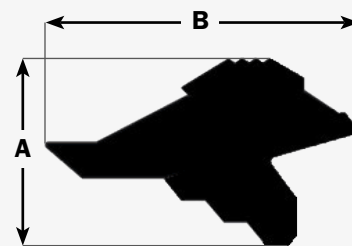
Align spigot and socket, and slide the spigot into the pipe, past the seal.



As the pipes are joined the rubber sealing element is deformed and creates pressure against both spigot and socket resulting in a watertight seal.

## SIZE CHART

PIPE SIZE (mm)	A (mm)	B (mm)
63	10,4	17,7
75	11,6	19,6
90	12,7	21,5
110	13,8	23,4
125	13,8	23,4
140	14,8	25,1
160	15,9	27,0
200	16,9	30,6
225	18,0	33,8
250	19,9	36,0
280	21,2	36,0
315	22,2	37,7
400	28,0	44,8
500	32,2	51,5



## APPROVALS

- BSI "Kitemark"
- EN 681-1

## STANDARDS

- SS-EN ISO 9001:2000

## MATERIAL

- Synthetic rubber (EPDM)
- Hardness 60+/-5 IRHD
- Ozone resistant

Authorities we cooperate with:



# TRELLEBORG

WWW.TRELLEBORG.COM/PIPE-SEALS