

ADVANTAGE PLUS

PACKAGING SHEETFED BLANKET

BENEFITS:

- Cord carcass offers excellent smash resistance and rapid recovery
- Up to 30% lower consumption
- Excellent dimensional stability
- Optimal ink transfer
- Excellent dot reproduction on a wide range of printing materials
- High edge marking resistance
- Longer service life

NEW TECHNOLOGY

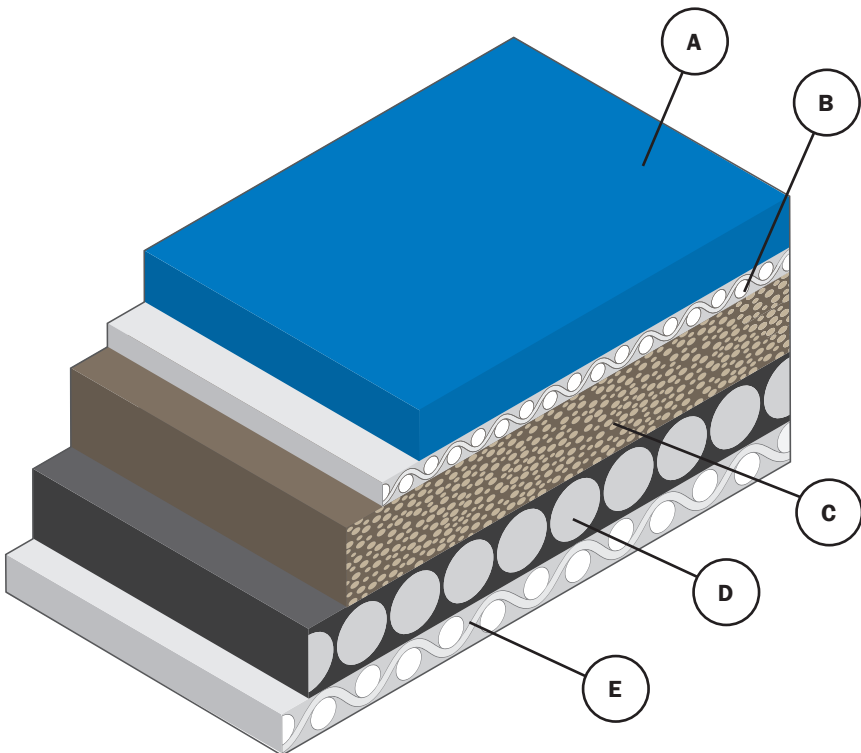
Radial cord carcass coupled with a closed-cell compressible layer

COLOUR	Blue
CONSTRUCTION	Cord carcass
TYPE	Compressible
SURFACE HARDNESS	68 +/- 3 IRHD
STRETCH	< 0.70% @ 500 N/5 cm
NOMINAL THICKNESS	1.95 mm (ISO 12636)
BOTTOM LAYER	Water/Solvent sealed

MAIN APPLICATION

Sheetfed	●
Packaging	●
Coating	●
Metal decorating	●
Business forms and labels	●
Heatset	●
Coldset	●

● Recommended ● Suitable ● Not recommended



- A** - Printing surface
- B** - Fabric ply
- C** - Closed-cell compressible layer
- D** - Cord ply
- E** - Sealed bottom fabric