

# ADVANTAGE PEARL

## HEATSET & PREMIUM PACKAGING SHEETFED BLANKET

### BENEFITS:

- Cord carcass offers excellent smash resistance and rapid recovery
- Suitable for UV and conventional inks
- Excellent dimensional stability
- No re-packing or re-tensioning needed
- Excellent paper feed
- Great dot reproduction on a wide range of printing materials
- High edge marking resistance
- Good stability in all conditions

### NEW TECHNOLOGY

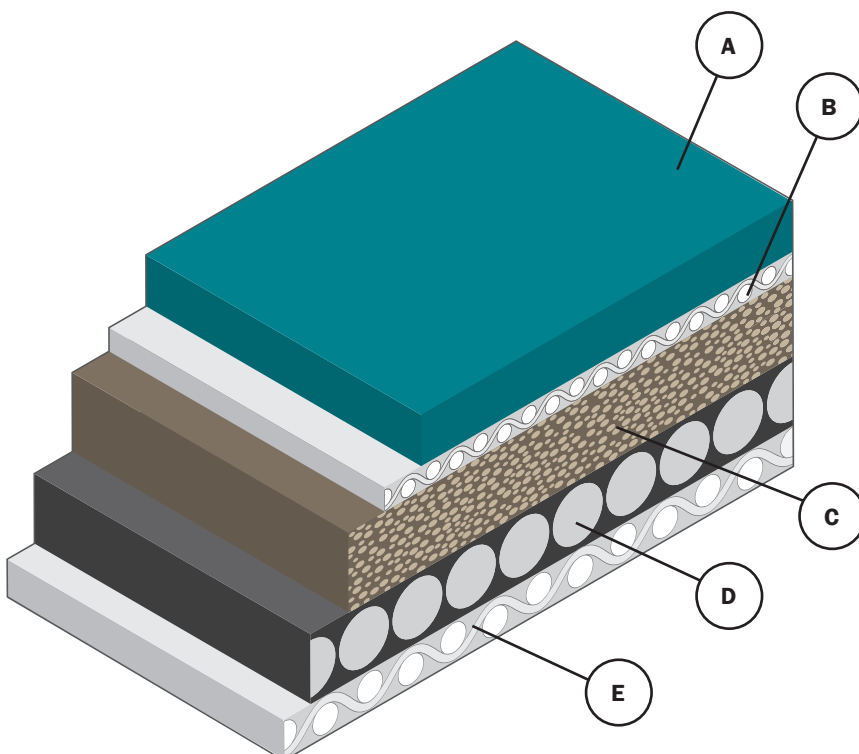
Radial cord carcass coupled with a closed-cell compressible layer  
Specially designed surface for hybrid ink

<b>COLOUR</b>	Turquoise green
<b>CONSTRUCTION</b>	Cord carcass
<b>TYPE</b>	Compressible
<b>SURFACE HARDNESS</b>	65 +/- 3 IRHD
<b>STRETCH</b>	< 0.70% @ 500 N/5 cm
<b>NOMINAL THICKNESS</b>	1.95 mm (ISO 12636)
<b>BOTTOM LAYER</b>	Water/Solvent sealed
<b>FEED CHARACTERISTICS</b>	Slightly positive

### MAIN APPLICATION

Sheetfed	●
Packaging	●
Coating	●
Metal decorating	●
Business forms and labels	●
Heatset	●
Coldset	●

● Recommended ● Suitable ● Not recommended



- A - Printing surface
- B - Fabric ply
- C - Closed-cell compressible layer
- D - Cord ply
- E - Sealed bottom fabric