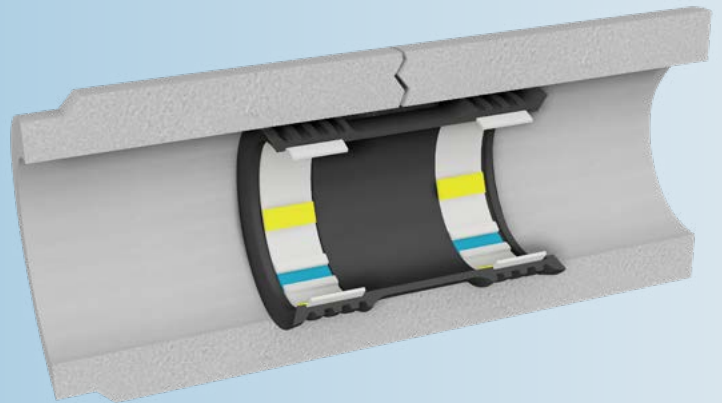


I-Lock-P™ Mechanical Seal

Designed to repair
High Pressure Pipes



I-Lock-P™ seals are designed to provide watertight repairs from the inside. That means no digging.

The positive locking expansion mechanism and our highly durable materials allow for great performance and sealing at high pressure.

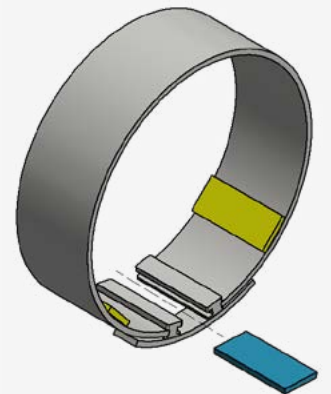
KEY FEATURES AND BENEFITS

Easy installation via high force hydraulic expansion tool

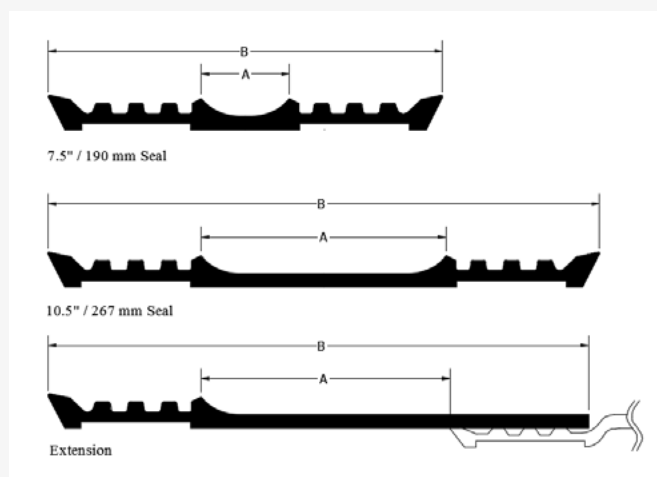
Suitable for high pressure pipes (290 PSI/20 bar rating)

Suitable for most types of pipe, including steel, cast iron, concrete and plastic

Available in multiple widths and extensions, in a wide range of diameters (16" - 96")



AVAILABLE WIDTHS



A = The portion of the seal that covers the leaking area.
 B = The complete width of the seal once installed
 (includes the band compression area).

Seal	Sealing Area "A"	Coverage Area "B"
7.5" 191 mm	1.7" 43 mm	7.5" 190 mm
10.5" 267 mm	4.7" 119 mm	10.5" 267 mm
Extension	4.7" 119 mm	10.3" 262 mm

COMPONENTS INCLUDED

Rubber Seal

Stainless Steel Expansion Bands

Inserts

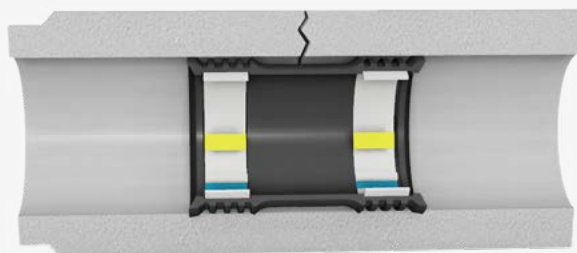
Flap

Test Port (optional)

MEASURING FOR I-LOCK-P™ MECHANICAL SEALS

Prior to ordering I-Lock-P™ Mechanical Seals it is important to measure the inside diameter of the pipe or manhole on both sides of the area being repaired. Take the diameter measurement in horizontal and vertical direction to ensure accuracy and select the seal with the right diameter.

Measure the dimensions of the leaking point in the pipe and select the seal with the appropriate width A.



TRELLEBORG

WWW.TRELLEBORG.COM/PIPE-SEALS