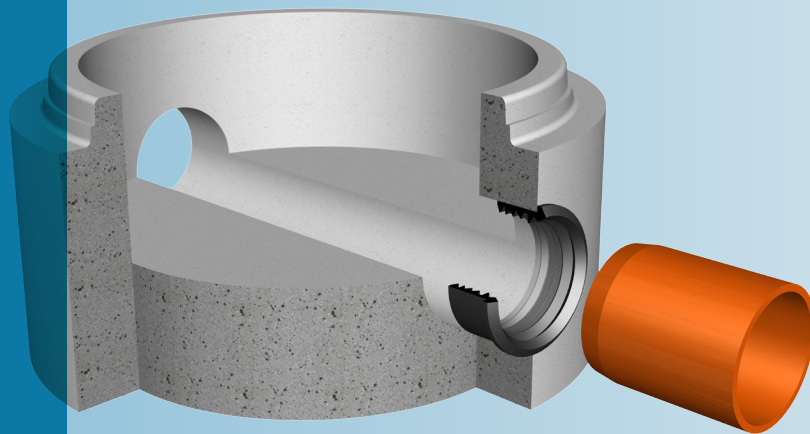


# Forsheda 945

Flexible connection system for laterals to pipelines and large double walled plastic manholes



## SEAL DESIGN AND FUNCTION

Forsheda 945 is a rubber seal for flexible connection of pipes to manholes and laterals to pipelines. It can be used with both prefabricated and core drilled holes. The multiple lip design allows ease of jointing and provides excellent resistance to transverse shear load whilst allowing a high level of angular deflection in the joint.

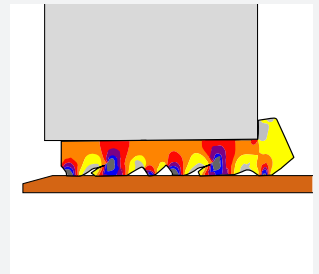
The extra wide profile can cover exposed steel reinforcement in core drilled holes protecting it from potential corrosion.

Forsheda 945 can also be used for connecting PVC pipes into corrugated pipes. Further information is available from Trelleborg Pipe Seals on request.



## SEAL PERFORMANCE

The Forsheda 945 seal meets the requirement of all relevant current European standards.



## MATERIAL

Synthetic rubber SBR or EPDM

Hardness 40±5 IRHD

Approved in accordance with EN 681-1

Protected against ozone

Available in oil resistant material

## QUALITY ASSURANCE

ISO 9001

British Standard "Kitemark"

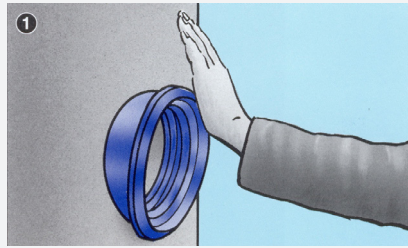
CE-marking

## SEAL MARKING AND BOX LABELS

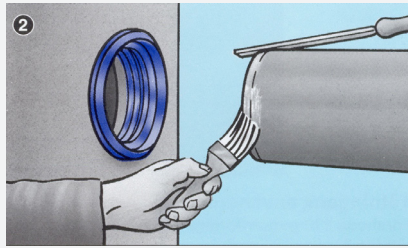
Each seal is marked with the outside diameter of the connecting pipes and period of manufacture. The box is labelled with corresponding data.

## JOINT ASSEMBLY

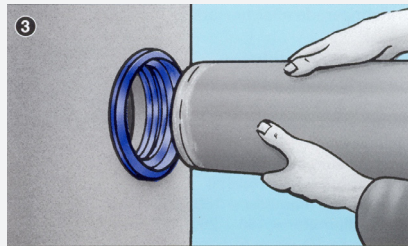
Press the Forsheda 945 seal into the hole. Do not use lubricant.



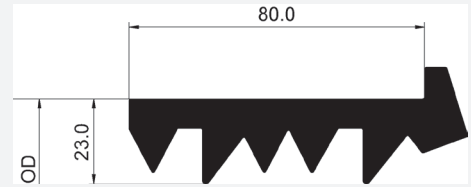
Chamfer the edge of the connecting pipe and lubricate it with Forsheda lub.



Centre the end of the pipe and push it into the seal, so that the pipe end is flush with the inner wall.



## EXAMPLE OF SIZES



DN	OD, mm	Drilled hole
110	142	138
160	190	186
200	233	226
250	287	276
315	351	341
400	439	426

Please contact Trelleborg Pipe Seals for technical advice and joint design recommendations to meet your performance requirements.

Pipe connections with F-945 shall always be laid in accordance with applicable standards and regulations.

Examples of authorities Trelleborg Pipe Seals cooperates with:



[WWW.TRELLEBORG.COM/PIPE-SEALS](http://WWW.TRELLEBORG.COM/PIPE-SEALS)