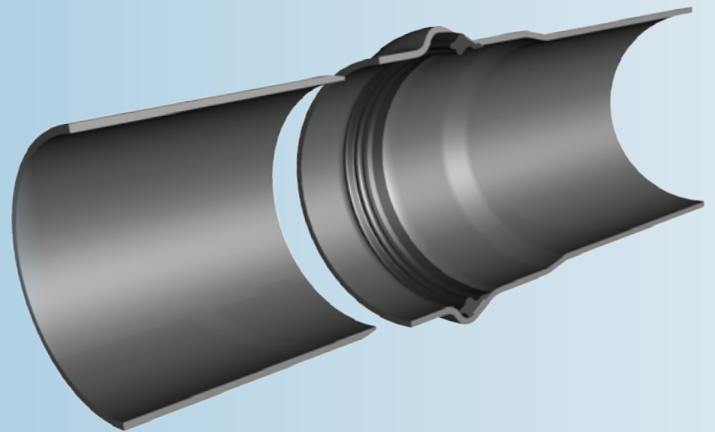


# Forsheda 565 Rieber C-900-905

**Integrated seal for  
AWWA C-900-905  
pressure pipes**



## SEAL DESIGN AND FUNCTION

Forsheda 565 Rieber C-900-905 integrated system uses the mandrel together with the seal as a tool to form the pipe socket during the manufacturing process. Forsheda 565 Rieber C-900-905 is a seal composite consisting of:

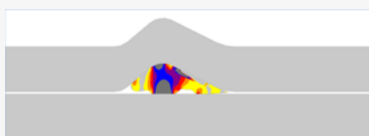
A flexible rubber element to seal effectively against spigot and socket.

A treated metal insert which holds the seal firmly in place.

The seal is placed onto the socket during pipe manufacture, ensuring it is always in the correct position in the joint. The seal is equally effective under both positive and negative pipe pressure (vacuum).

## SEAL PERFORMANCE

F-565 Rieber C-900-905 sealing system meets or exceeds current AWWA C-900-905 standard and UL-1285, FM-1612 and NSF 14. Test reports are available from Trelleborg Pipe Seals on request.



## MATERIAL

Synthetic SBR rubber, available in EPDM, Nitrile or other specialty elastomeric material by special order

Hardness 55±5 Shore A

Meets the requirement of ASTM Standard F-477 HH and UL 1285

Approved for contact with cold potable water according to ANSI/NSF 61

Available in oil resistant material

Product/material certified to NSF 14, CSA, Certimex and ASTM standards by third party accredited laboratories

## QUALITY ASSURANCE

ISO 9001

NSF

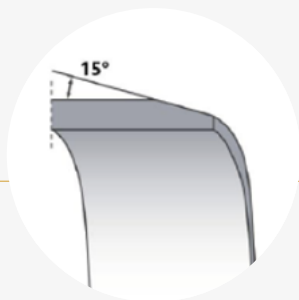
UL

CSA

CERTIMEX

## JOINT ASSEMBLY

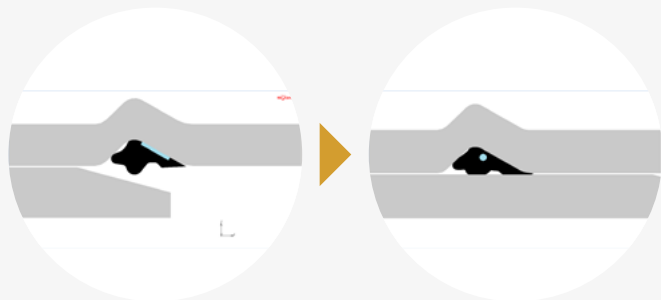
Chamfer the spigot end



Clean the socket

Apply lubricant on the spigot before assembly

Slide the spigot into the socket, thus compressing the sealing lip



## OTHER TECHNICAL DATA

The F-565 Rieber C-900-905 seal has been tested to the requirements of the ASTM Standard exceeding the established requirements:

Pressure tightness as per ASTM D 3139-73 -1 hour

5° deflection-6.5 MPa maximum internal pressure - 1 hour

Vacuum testing - 74.5 KPa vacuum - 1 hour

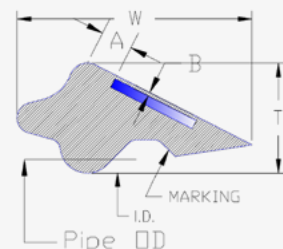
Approximate assembly force with chamfered pipe end:  
4" outside diameter, 400 N (86lb)

## SEAL MARKING AND BOX LABELS

Each seal is marked with seal dimension and period of manufacture. The box is labelled with corresponding data.

## EXAMPLES OF SIZES (MM)

Size	ID-Nom	W-Ref	T-nom	B-Ref	A-Ref	Pipe OD-Ref
4	4,614	1,099	0,512	0,03	0,149	4,800
6	6,660	1,264	0,591	0,03	0,171	6,900
8	8,791	1,433	0,669	0,03	0,194	9,050
10	10,815	1,689	0,788	0,04	0,229	11,100
12	12,833	1,854	0,869	0,04	0,251	13,200
14	14,913	2,020	0,944	0,04	0,274	15,300
16	16,965	2,269	1,060	0,04	0,308	17,400
18	19,016	2,444	1,142	0,04	0,331	19,500
20	21,043	2,696	1,260	0,04	0,336	21,600
24	25,215	3,034	1,418	0,04	0,412	25,800
30	31,344	3,370	1,575	0,04	0,457	32,000
36	37,736	3,370	1,575	0,04	0,457	38,300
42	43,752	4,381	2,047	0,04	0,594	44,500
48	50,051	4,381	2,047	0,04	0,594	50,800



Pipes with F-565 Rieber C-900-905 shall always be laid in accordance with applicable standards and regulations.

Please contact Trelleborg Pipe Seals for technical advice and joint design recommendations to meet your performance requirements.

Examples of authorities Trelleborg Pipe Seals cooperates with:



CSA  
Group



TRELLEBORG

WWW.TRELLEBORG.COM/PIPE-SEALS