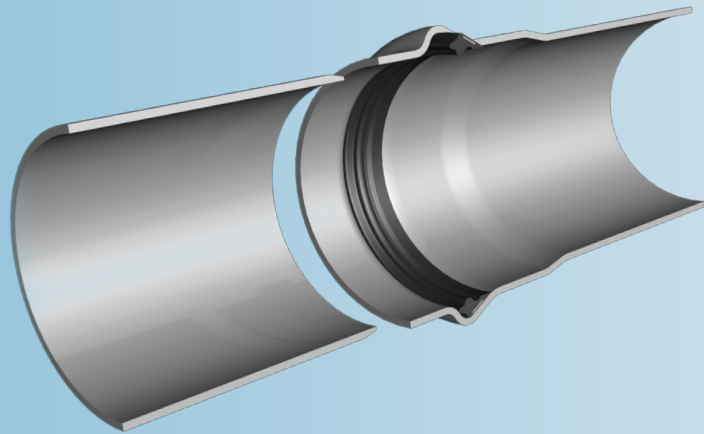


Forsheda 560 Rieber IPS

Integrated sealing system for plastic pressure pipes



SEAL DESIGN AND FUNCTION

Forsheda 560 Rieber IPS integrated system uses the mandrel together with the seal as a tool to form the pipe socket during the manufacturing process. Forsheda 560 Rieber IPS is a seal composite consisting of:

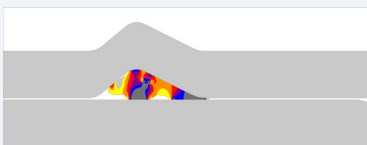
A flexible rubber element to seal effectively against spigot and socket.

A treated metal insert which holds the seal firmly in place.

The seal is placed onto the socket during pipe manufacture, ensuring it is always in the correct position in the joint. The seal is equally effective under both positive and negative pipe pressure (vacuum).

SEAL PERFORMANCE

F-560 Rieber IPS seal meets or exceeds current ASTM 2241 pipe sealing requirements and incorporate the traditional Rieber seal design.



MATERIAL

Synthetic SBR rubber, available in EPDM, Nitrile or other specialty elastomeric material by special order

Hardness 55±5 Shore A

Meets the requirement of ASTM Standard F-477 HH

Approved for contact with cold potable water according to ANSI/NSF 61

Available in oil resistant material

Product/material certified to CSA, Certimex and ASTM standards by third party accredited laboratories

Detailed material specification is available from Trelleborg Pipe Seals on request.

QUALITY ASSURANCE

ISO 9001

NSF

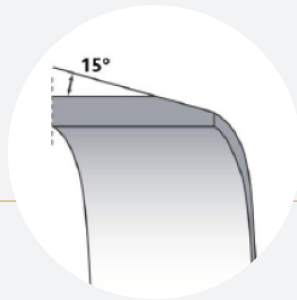
UL

CSA

CERTIMEX

JOINT ASSEMBLY

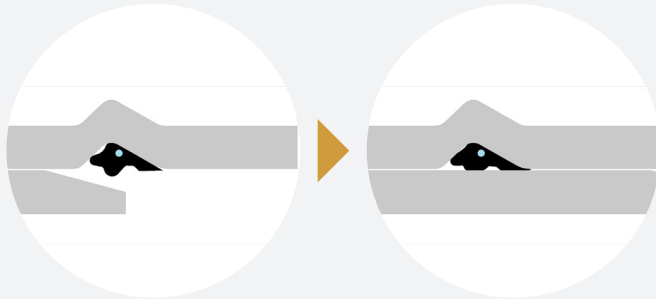
Chamfer the spigot end



Clean the socket

Apply lubricant on the spigot before assembly

Slide the spigot into the socket, thus compressing the sealing lip



OTHER TECHNICAL DATA

The F-560 seal has been tested to the requirements of the ASTM Standard exceeding the established requirements:

Pressure tightness as per ASTM D 3139-73

Straight joint-6.05 MPa maximum internal pressure – 1 hour

50 deflection -6.5 MPa maximum internal pressure – 1 hour

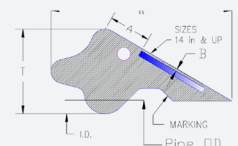
Vacuum testing – 74.5 KPa vacuum – 1 hour

SEAL MARKING AND BOX LABELS

Each seal is marked with seal dimension and period of manufacture. The box is labelled with corresponding data.

EXAMPLES OF SIZES (Inches)

Size	ID-Nom	W-Ref	T-nom	B-Ref	A-Ref
1-1/2	1.765	0.673			1.900
2	2.250	0.673			2.375
2-1/2	2.720	0.929			2.875
3	3.331	1.012			3.500
4	4.315	1.099			4.500
5	5.362	1.181			5.563
6	6.409	1.264			6.625
8	8.378	1.433			8.625
10	10.464	1.689			10.750
12	12.437	1.854			12.750
14	13.622	2.020	0.04	0.274	14.000
16	15.580	2.269	0.04	0.308	16.000
18	17.595	2.444	0.04	0.332	18.000
20	19.556	2.696	0.04	0.336	20.000
24	23.484	3.034	0.04	0.412	24.000



Pipes with F-560 Rieber IPS shall always be laid in accordance with applicable standards and regulations.

Please contact Trelleborg Pipe Seals for technical advice and joint design recommendations to meet your performance requirements.

Examples of authorities Trelleborg Pipe Seals cooperates with:



WWW.TRELLEBORG.COM/PIPE-SEALS