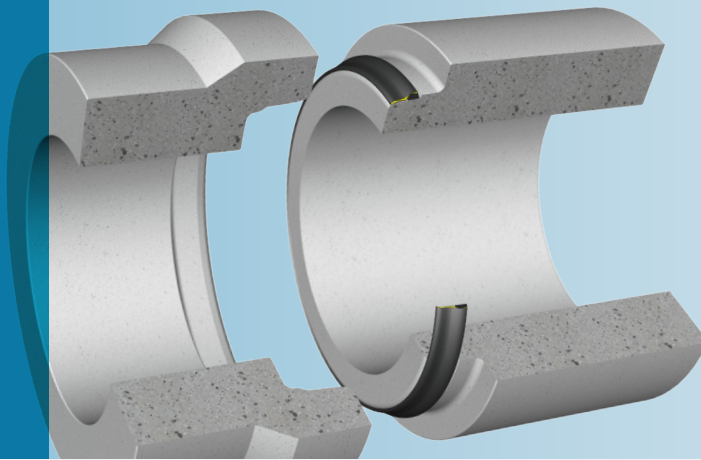


Forsheda 140 Lamell

**Pre-lubricated
seal for concrete
pipe and manhole
systems**

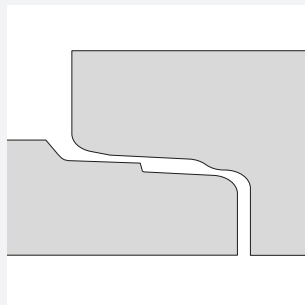


SEAL DESIGN AND FUNCTION

Forsheda 140 is a pre-lubricated sliding seal that is stretched onto the spigot of the pipe or manhole. Additional lubricant is not required for joint assembly.

The joint design is standard in many countries. A drawing is available from Trelleborg Pipe Seals on request.

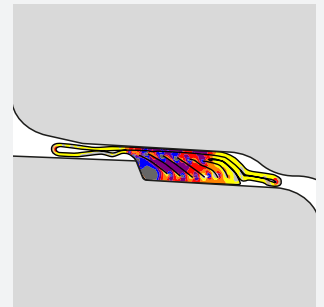
The seal is easy and clean to handle as the lubricant is enclosed in the sliding mantle. This allows installation with very little force as there is no friction between the rubber and concrete. The joint is designed so that the pre-lubricated mantle rolls onto the top of the spigot shoulder and into the small gap between spigot and socket during installation. This prevents concrete to concrete contact and gives efficient distribution of transvers shear loads across the joint. The rectangular cross section of the laminated sealing body makes the seal very flexible and provides excellent contact width.



Typical joint design

SEAL PERFORMANCE

Forsheda 140 meets all relevant current European standards. Joint performance is dependent on dimensional accuracy and surface finish of socket and spigot. Test reports are available from Trelleborg Pipe Seals on request.



MATERIAL

Synthetic SBR or EPDM rubber

Hardness 40±5 IRHD

Approved in accordance with EN 681-1

Protected against ozone

Oil resistant grades are available on request

QUALITY ASSURANCE

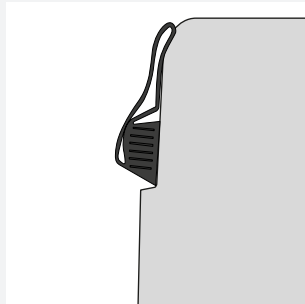
ISO 9001

British Standard "Kitemark"

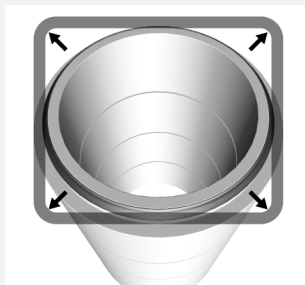
CE-marking

JOINT ASSEMBLY

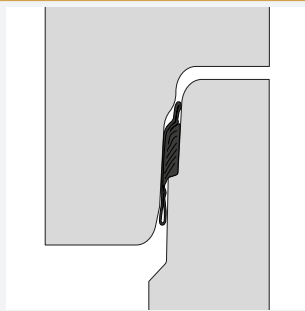
Stretch the seal onto the spigot and position against the shoulder.



Equalize the stress in the seal by lifting and releasing at a few points. The seal must sit evenly against the spigot shoulder. Lubrication of the socket or spigot is not required.

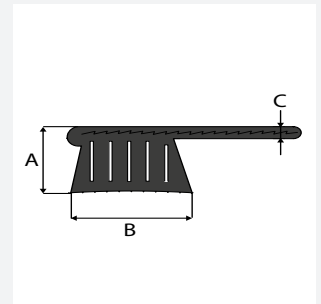


Centre the joint and assemble.



SEAL MARKING AND BOX LABELS

Each seal is marked with seal dimension and the date of manufacture. The box is labelled with the corresponding data.



EXAMPLES OF SIZES (MM)

| A, MM | B, MM | C, MM |
|-------|-------|-------|
| 13.5 | 17.5 | 2.7 |
| 16.5 | 24.0 | 2.5 |
| 18.5 | 26.0 | 3.3 |
| 20.0 | 28.0 | 2.8 |
| 22.5 | 30.0 | 3.2 |
| 24.5 | 32.0 | 3.5 |
| 28.0 | 35.0 | 5.0 |
| 32.0 | 40.0 | 5.2 |

Please contact Trelleborg Pipe Seals for more information, technical advice and joint design recommendations to meet your performance requirements.

Pipes and manholes with Forsheda 140 shall always be laid in accordance with applicable standards and regulations.

Examples of authorities Trelleborg Pipe Seals cooperates with:



TRELLEBORG

WWW.TRELLEBORG.COM/PIPE-SEALS