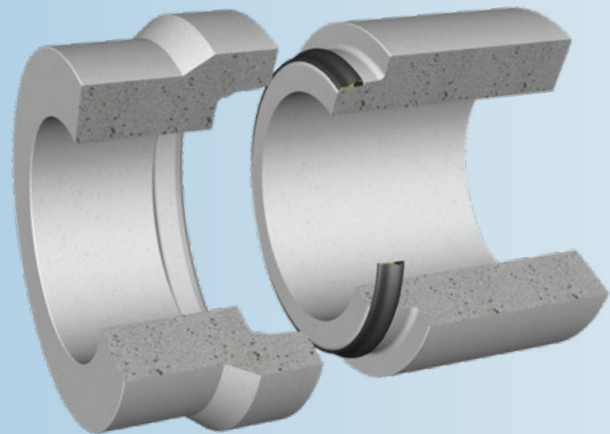


Trelleborg 140 Lamell

**Pre-lubricated seal
for concrete pipes
and manholes**



KEY FEATURES & BENEFITS

- **Very flexible, provides excellent contact width**
- **Easy installation, no friction between rubber & concrete**
- **Large contact width bridges minor surface imperfections**

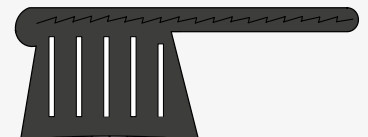
SEAL DESIGN & FUNCTION

Trelleborg 140 is a pre-lubricated sliding seal that is stretched onto the spigot of the pipe or manhole. Additional lubricant is not required for joint assembly.

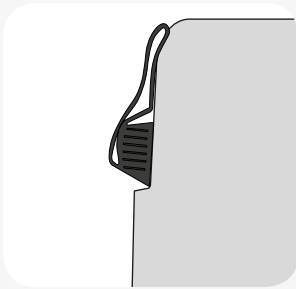
The seal is designed with a sliding mantle which is internally lubricated. The mantle is fully closed to ensure the lubricant stays in place.

During installation the mantle rolls onto the top of the spigot shoulder and into the small gap between spigot and socket. This allows installation with very little force as there is no friction between the rubber and concrete.

The rectangular cross section of the laminated sealing body makes the seal very flexible and provides excellent contact width.



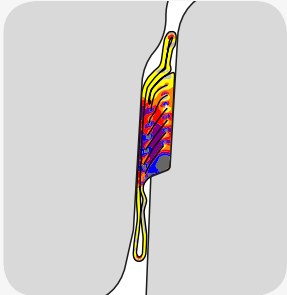
JOINT ASSEMBLY



Stretch the seal onto the spigot and position against the shoulder.



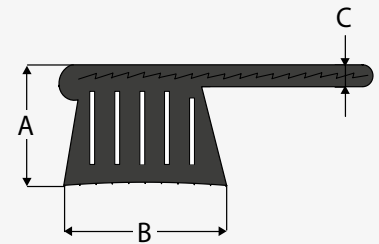
Equalize the stress in the seal by lifting and releasing at a few points. The seal must sit evenly against the spigot shoulder. Lubrication of the socket or spigot is not required.



Centre the joint and assemble.

SIZE CHART

A (mm)	B (mm)	C (mm)
13.5	17.5	2.7
16.5	24.0	2.5
18.5	26.0	3.3
20.0	28.0	2.8
22.5	30.0	3.2
24.5	32.0	3.5
28.0	35.0	5.0
32.0	40.0	5.2



Concrete pipes and manholes with Trelleborg 140 seals must be laid in accordance with applicable standards and regulations.

Please contact us for technical advice and joint design recommendations to meet your performance requirements.

APPROVALS

- CE-marking
- BSI "Kitemark"

STANDARDS

- EN 681-1
- ISO 9001

MATERIAL

- Synthetic rubber (SBR or EPDM)
- Hardness 40+/-5 IRHD
- Protected against ozone
- Oil resistant grades are available on request

Authorities we cooperate with:



TRELLEBORG

WWW.TRELLEBORG.COM/PIPE-SEALS