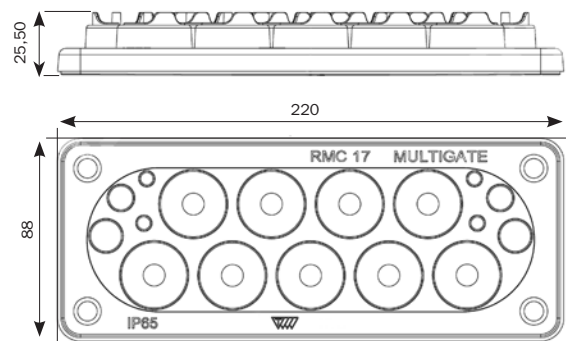


Multigate RMC 17



The new plastic reinforced Multigate RMC series takes advantage of a new patent pending sealing system. Extra sealing rings can easily be pulled off without extra tools to make RMC perfectly fit various cable sizes. Covered cable diameters for RMC 17 are from 5 to 30 mm, but RMC can also be easily adapted to customer specific cable sizes. IP classification is IP65, and the materials are fire retarded and halogen free. RMC fits the FL21 standard cut-out.



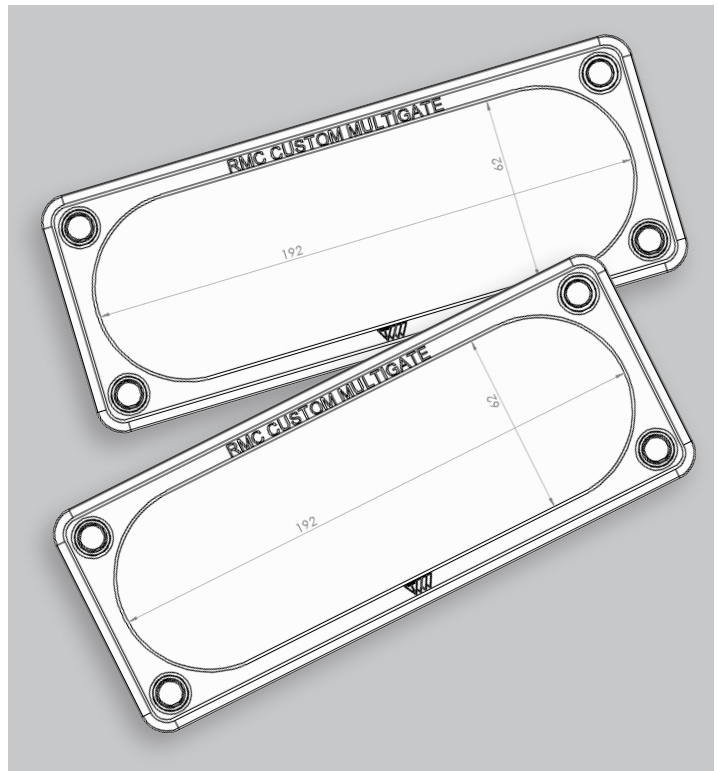
Cable size: 5-7mm	4pcs
Cable size: 10-12mm	2pcs
Cable size: 12-15mm	2pcs
Cable size: 10-18mm, 18-26mm, 26-30mm	9pcs



Multigate RMC CUSTOM



It is possible to choose customer specific cable inlet sizes for the flange. The cables can have a diameter of up to 60 mm. Available area for the inlets is specified by the dimensions of FL21 cut-out. RMC can be designed for optimal use of space. Please see the pictures for further info.



Trelleborg Industrial Products Finland Oy

Pekka Nurmi
Key Account Manager
+358 40 199 0898
pekka.nurmi@trelleborg.com

Kari Nieminen
Key Account Manager
+358 50 911 8266
kari.nieminen@trelleborg.com

