



UNIVERSAL TRELLEBORG SHANK

V04/09/2016

Catalog

Crimping
Ferrule
Full Compatibility
Safety Clamp
Technical Solution
DIN 11851
World wide solution **BSPP**
Saving
Tested & Qualified **SMS**
Welding End
Safety Hose assembly
TRI-CLAMP
Stock Management Improvement
GUILLEMIN
EN 14420
TANKWAGEN
Reliability
CAMLOCK
Simplification
Flange



Universal Trelleborg Shank

UTS

V04/09/2016

UNIVERSAL TRELLEBORG SHANK

► UNIVERSAL HOSE ASSEMBLIES PROCESS

- Crimping with **UTS FERRULE** according to our procedures
- Mounted with **SAFETY CLAMP** according to EN 14 420-3
- Shank according to EN 14420-2

► UNIVERSAL TRELLEBORG HOSES COMPATIBILITY

One solution for all your hose assemblies, including FEP and UPE lined hoses

► SAFE, RELIABLE⁽¹⁾ & NON RETENTION AREA⁽²⁾

The UTS hose connection has been tested and qualified up to the hose bursting pressure.

► STOCK MANAGEMENT/SAVING

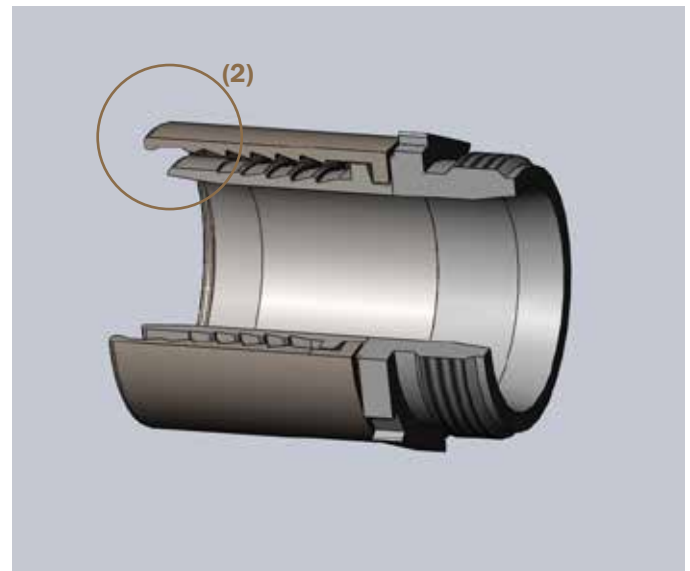
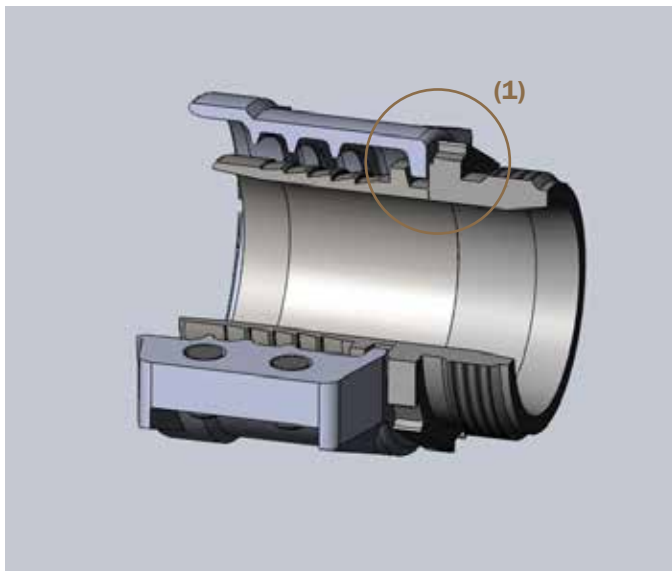
One solution = lower stock level/less item numbers

► AVAILBALE WITH VARIOUS END TYPES:

- DIN-11851
- CAMLOCK
- BSP MALE & FEMALE
- SMS-1145
- TRICLAMP (SMS Norm)
- WELDING END
- TANKWAGEN
- FLANGES
- GUILLEMIN
- ...

www.trelleborg.com/fluidhandling

Contact: robin.lallemand@trelleborg.com





DIN 11851

V04/09/2016

TECHNICAL INFORMATION

- Thread according DIN 405
- Shank according to EN 14420-2
- Material: stainless steel 316L/1.4404
- Working pressure: 16 bar

RELATED PRODUCTS

- UTS ferrules
- Safety clamps
- DIN 11851 gaskets

www.trelleborg.com/fluidhandling

Contact: robin.lallemand@trelleborg.com



DIN SS316L

Female

Part number	Coupling size (mm)	DN Hose (mm)	Stock
5103359	25	25	✓
5103360	32	32	✓
5103361	40	38	✓
5103362	50	50/51	✓
5103363	65	63	✓
5103364	80	75/76	✓
5103365	100	100/102	✓

DIN SS316L

Male

Part number	Coupling size (mm)	DN Hose (mm)	Stock
5103368	25	25	✓
5103369	32	32	✓
5103370	40	38	✓
5103371	50	50/51	✓
5103372	65	63	✓
5103373	80	75/76	✓
5103374	100	100/102	✓

DIN SS304

Nut

Part number	Coupling size (mm)	Stock
0116985	25	✓
5100287	32	✓
0116934	40	✓
0116739	50	✓
0116910	65	✓
0116913	80	✓
0117012	100	✓

DIN

Rubber coated nut

Part number	Coupling size (mm)	Stock
5101011	25	✓
5101021	32	✓
5100802	40	✓
5100803	50	✓
5100804	65	✓
5103669	80	✓

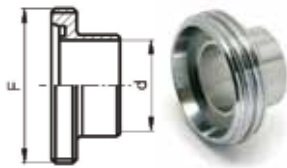




DIN 11851

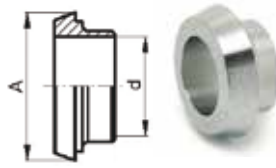
V04/09/2016

MALE PART



DN	F	d
10	28x1/8"	10
15	34x1/8"	16
20	44x1/6"	20
25	52x1/6"	26
32	58x1/6"	32
40	65x1/6"	38
50	78x1/6"	50
65	95x1/6"	66
80	110x1/4"	81
100	130x1/4"	100
125	160x1/4"	125
150	190x1/4"	150

FEMALE PART

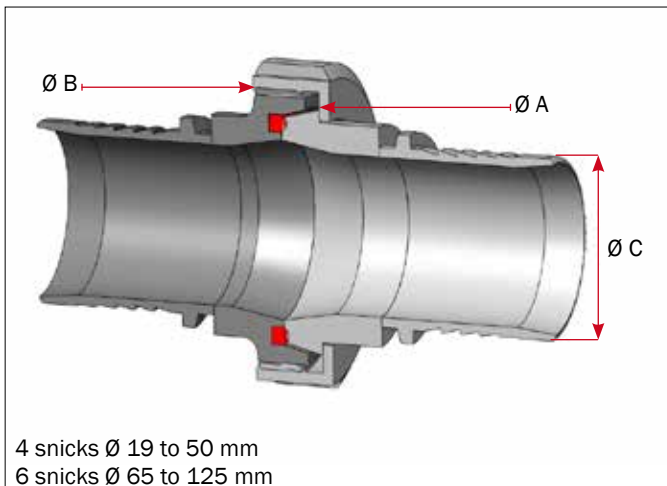


A	d
22	10
28	16
36	20
44	26
50	32
56	38
68	50
86	66
100	81
121	100
150	125
176	150

NUT



F	A	L
28x1/8"	38	18
34x1/8"	44	18
44x1/6"	54	21
52x1/6"	63	21
58x1/6"	70	21
65x1/6"	78	21
78x1/6"	92	22
95x1/6"	112	25
110x1/4"	127	30
130x1/4"	148	31
160x1/4"	178	35
190x1/4"	210	40



DIN	A	B	C
25	44	52 6 F"	25.2
32	50	58 6 F"	32.5
40	56	65 6 F"	38.5
50	68	78 6 F"	50.5
65	86	95 6 F"	63.5
80	100	110 4 F"	75.5
100	121	130 4 F"	100.6



SMS

V04/09/2016

TECHNICAL INFORMATION

- Thread according DIN 405
- Shank according to EN 14420-2
- Material: stainless steel 316L/1.4404
- Working pressure: 16 bar

RELATED PRODUCTS

- UTS ferrules
- Safety clamps
- SMS gaskets

www.trelleborg.com/fluidhandling

Contact: robin.lallemand@trelleborg.com



SMS SS316L

Female

Part number	Coupling size (mm)	DN Hose (mm)	Stock
5103326	25	25	✓
5103327	32	32	✓
5103328	38	38	✓
5103329	51	50/51	✓
5103330	63	63	✓
5103331	76	75/76	✓
5103332	104	100/102	✓



SMS SS316L

Male

Part number	Coupling size (mm)	DN Hose (mm)	Stock
5103334	25	25	✓
5103335	32	32	✓
5103336	38	38	✓
5103337	51	50/51	✓
5103338	63	63	✓
5103339	76	75/76	✓
5103340	104	100/102	✓
5103341	101.6	100/102	☎

SMS SS304

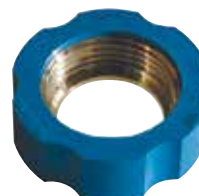
Nut

Part number	Coupling size (mm)	Stock
0116978	25	✓
5100284	32	✓
0116872	38	✓
0116862	51	✓
0116865	63	✓
0116868	76	✓
0116874	104	✓
5102654	101.6	☎

SMS

Rubber coated nut

Part number	Coupling size (mm)	Stock
5101012	25	✓
5100792	38	✓
5100749	51	✓
5100786	63	✓
5100787	76	✓

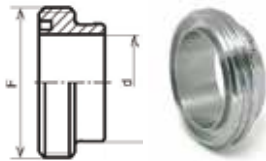




SMS

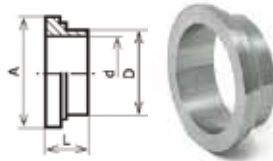
V04/09/2016

MALE PART



DN	F	d
25	1"	40x1/6"
38	1 1/2"	60x1/6"
51	2"	70x1/6"
63	2 1/2"	85x1/6"
76	3"	98x1/6"
104	4"	125x1/4"

FEMALE PART

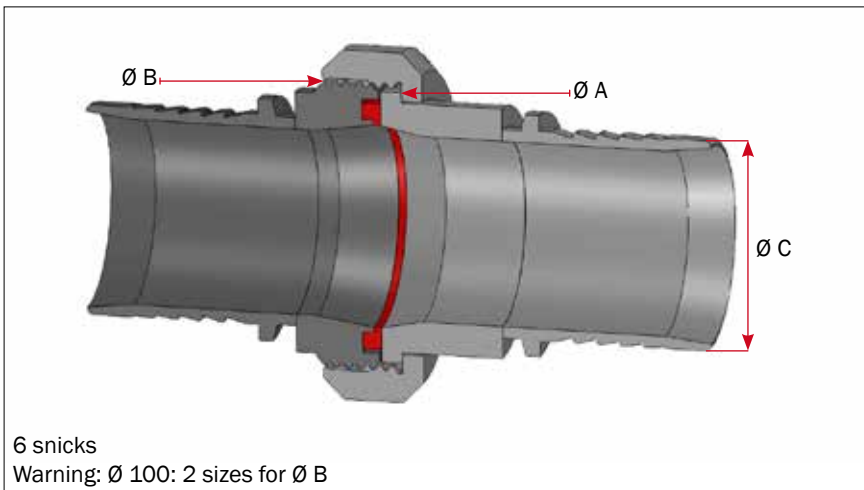


A	d
35,5	22,5
55	35,5
65	48,5
80	60,5
93	72,9
118	100

NUT



F	A	B	L
40x1/6"	51	32,5	19
60x1/6"	74	48,5	23
70x1/6"	84	61	24
85x1/6"	100	74	28
98x1/6"	114	87	30
125x1/4"	138	113	31



SMS	A	B	C
25	35.5	40 6 F"	25.2
32	43	48 6 F"	32.5
38	55	60 6 F"	38.5
51	65	70 6 F"	50.5
63	80	85 6 F"	63.5
76	93	98 6 F"	75.5
104	118	125 4 F"	100.6
101.6	118	132 6 F"	100.6



BSPP

V04/09/2016

TECHNICAL INFORMATION

- Thread according NF EN ISO 228-1
- Shank according to EN 14420-2
- Material: stainless steel 316/1.4401
- Working pressure: 25 bar
- Temperature: 100 °C
- PTFE flat thread seal



RELATED PRODUCTS

- UTS ferrules
- Safety clamps
- Flat thread seal

www.trelleborg.com/fluidhandling

Contact: robin.lallemand@trelleborg.com



BSPP SS316

Female - PTFE gasket

Part number	Thread size (mm)	DN Hose (mm)	Stock
5103269	1/2"	13	✓
5103270	3/4"	19	✓
5103271	1"	25	✓
5103272	1" 1/4	32	✓
5103273	1" 1/2	38	✓
5103274	2"	50/51	✓
5103275	2" 1/2	63	✓
5103276	3"	75-76	✓
5103277	4"	100/102	✓

BSPP SS316

Male

Part number	Thread size (mm)	DN Hose (mm)	Stock
5103293	1/2"	13	✓
5103294	3/4"	19	✓
5103295	1"	25	✓
5103296	1" 1/4	32	✓
5103297	1" 1/2	38	✓
5103298	2"	50/51	✓
5103299	2" 1/2	63	✓
5103300	3"	75-76	✓
5103301	4"	100/102	✓

NEW

SAFE & RELIABLE CONNECTION

Same safety collar

Nut retaining by cliclips



CAMLOCK

V04/09/2016

TECHNICAL INFORMATION

- CAMLOCK according to MIL-C 27487
DIN282/NF EN 14420-7 2013
- Shank according to EN 14420-2
- Material: stainless steel 316/1.4401
- Working pressure: 16 bar
- Temperature: -20°C +65°C
- NBR gasket



CAMLOCK - TYPE C - COUPLER SS316

Female - NBR gasket

Part number	Coupling size (mm)	DN Hose (mm)	Stock
5105269	3/4"	19	✓
5103409	1"	25	✓
5105270	1" 1/4	32	✓
5103410	1" 1/2	38	✓
5103411	2"	50/51	✓
5103412	2" 1/2	63	✓
5103413	3"	75-76	✓
5103414	4"	100/102	✓

RELATED PRODUCTS

- UTS ferrules
- Safety clamps
- Other gasket: FPM/EPDM/
FEP-Silicone/FPM-PTFE

www.trelleborg.com/fluidhandling

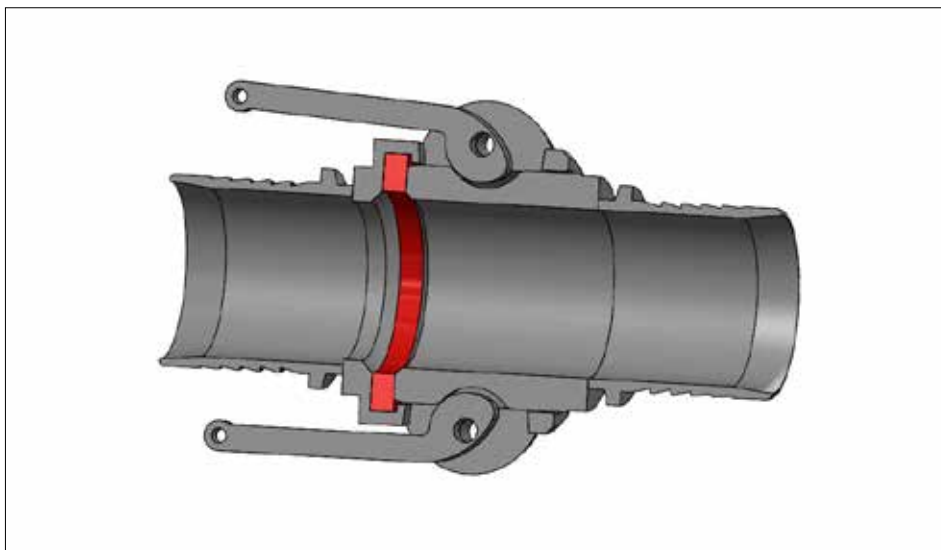
Contact: robin.lallemand@trelleborg.com



CAMLOCK - TYPE E - ADAPTER SS316

Male

Part number	Coupling size (mm)	DN Hose (mm)	Stock
5105267	3/4"	19	✓
5103397	1"	25	✓
5105268	1" 1/4	32	✓
5103398	1" 1/2	38	✓
5103399	2"	50/51	✓
5103400	2" 1/2	63	✓
5103401	3"	75-76	✓
5103402	4"	100/102	✓





TRI-CLAMP

(SMS Norm & ISO Norm)

V04/09/2016

TECHNICAL INFORMATION

- Shank according to EN 14420-2
- Material: stainless steel 316L/1.4404
- Working pressure: 16 bar
- Ra ≤ 0.5 on request
- Electropolishing on request

RELATED PRODUCTS

- UTS ferrules
- Safety clamps
- Clamp
- Gasket: FPM/EPDM/NBR/SILICONE

www.trelleborg.com/fluidhandling

Contact: robin.lallemand@trelleborg.com



TRI-CLAMP SS316L

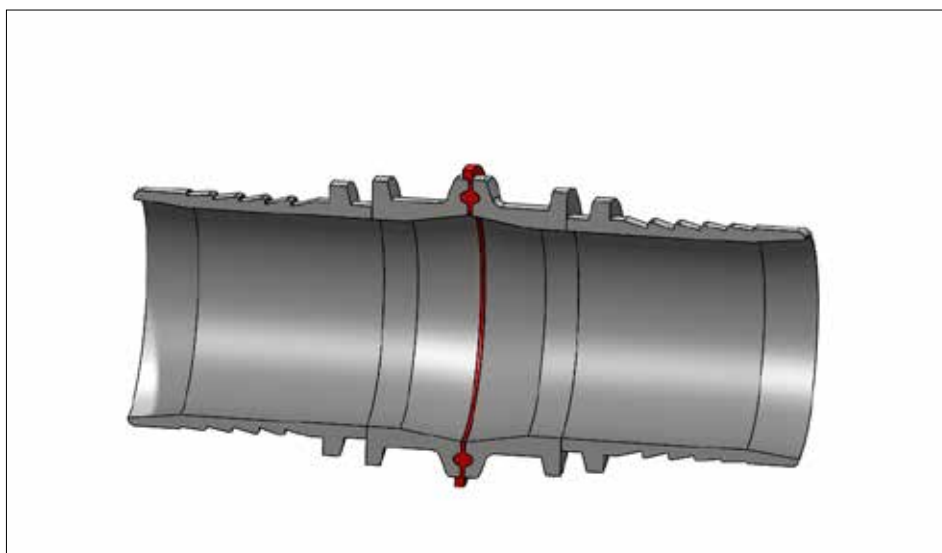
SMS norm

Part number	OD Ferrule (mm)	DN Hose (mm)	Stock
5103375	50.5	25	✓
5103376	50.5	38	✓
5103377	64.0	50/51	✓
5103378	77.5	63	✓
5103379	91.0	75/76	✓
5103380	119.0	100/102	✓

TRI-CLAMP SS316L

ISO norm

Part number	OD Ferrule (mm)	DN Hose (mm)	Stock
5103382	50.5	19	☎
5103383	50.5	25	☎
5103384	50.5	32	☎
5103385	64.0	32	☎
5103386	64.0	38	☎
5103387	77.5	50/51	☎
5103388	91.0	63	☎
5103389	106.0	75/76	☎
5103390	130.0	100/102	☎



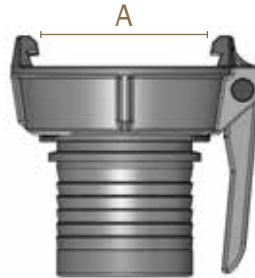


TANKWAGEN

V04/09/2016

TECHNICAL INFORMATION

- TW according to DIN 28450-EN 14420
- Shank according to EN 14420-2
- Material: stainless steel 316/1.4401
- Working pressure: 16 bar
- Temperature: -20°C +65°C
- CSM gasket



MK - CSM gasket

TANGWAGEN MK SS316

Part number	Coupling size	DN Hose (mm)	A	Stock
5103887	50	50/51	71	✓
5103888	80	75/76	102	✓
5103889	100	100/102	129	✓

RELATED PRODUCTS

- UTS ferrules
- Safety clamps

www.trelleborg.com/fluidhandling

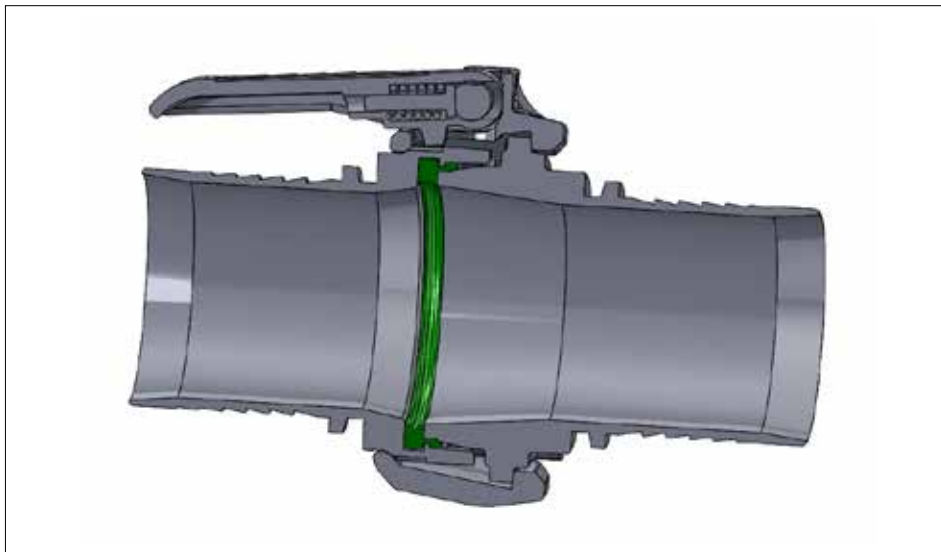
Contact: robin.lallemand@trelleborg.com



VK

TANGWAGEN VK SS316

Part number	Coupling size	DN Hose (mm)	A	Stock
5103890	50	50/51	48.5	✓
5103891	80	75/76	76	✓
5103892	100	100/102	95	✓





GUILLEMIN

V04/09/2016

TECHNICAL INFORMATION

- GUILLEMIN according to NF EN 14420-8
- Shank according to EN 14420-2
- Material: stainless steel 316/1.4401
- Working pressure: 16 bar -
*Except for Ø 150 mm
- Temperature: -20°C +65°C
- CSM gasket

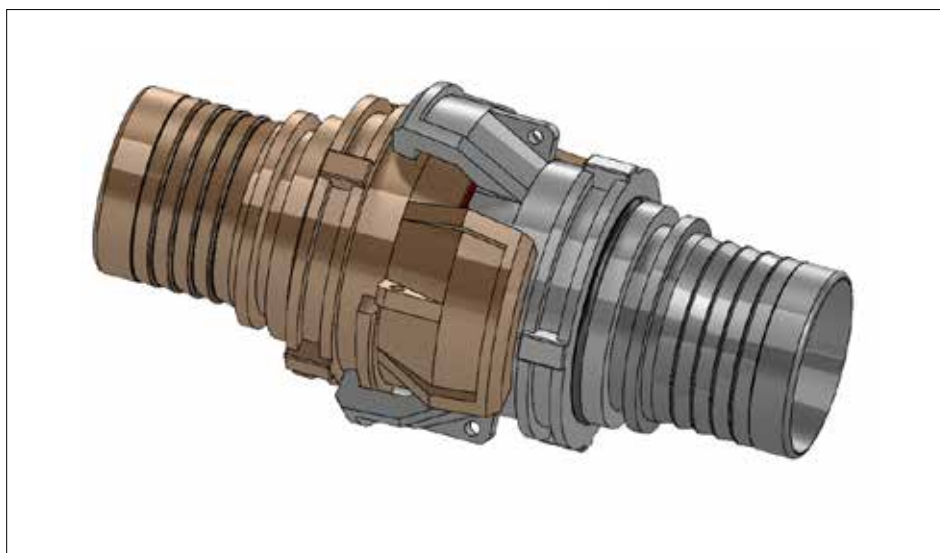
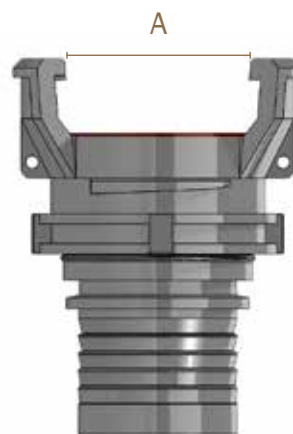
RELATED PRODUCTS

- UTS ferrules
- Safety clamps
- Spanner
- Other gaskets: NBR/EPDM/PTFE/FPM

www.trelleborg.com/fluidhandling

Contact: robin.lallemand@trelleborg.com

GUILLEMIN				SS316
Part number	Coupling size	DN Hose (mm)	A	Stock
5103343	25	25	37.5	✓
5103344	32	32	42.5	✓
5103345	40	38	55	✓
5103346	50	50/51	69	✓
5103347	65	63	84	✓
5103348	80	75/76	104	✓
5103349	100	100/102	124	✓
5103893*	150	152	193	✓





WELDING END (BW & SMS)

V04/09/2016

TECHNICAL INFORMATION

- Shank according to EN 14420-2

RELATED PRODUCTS

- UTS ferrules
- Safety clamps
- All welding couplings

www.trelleborg.com/fluidhandling

Contact: robin.lallemand@trelleborg.com



BW		SS316	
Part number	A (mm)	DN Hose (mm)	Stock
5103245	21.3	13	✓
5103246	26.7	20	✓
5103247	33.7	25	✓
5103248	42.2	32	✓
5103249	48.3	38	✓
5103250	60.3	50/51	✓
5103251	76.1	63	✓
5103252	88.9	75/76	✓
5103253	114.3	100/102	✓
5103254	139.7	125	✓
5103255	168.3	152	✓
5103256	219.1	204	✓

BW		CARBON STEEL	
Part number	A (mm)	DN Hose (mm)	Stock
5103257	21.3	13	✓
5103258	26.7	20	✓
5103259	33.7	25	✓
5103260	42.2	32	✓
5103261	48.3	38	✓
5103262	60.3	50/51	✓
5103263	76.1	63	✓
5103264	88.9	75/76	✓
5103265	114.3	100/102	✓
5103266	139.7	125	✓
5103267	168.3	152	✓
5103268	219.1	204	✓

SMS		SS316	
Part number	A (mm)	DN Hose (mm)	Stock
5103234	15	13	✓
5103235	20	20	✓
5103236	25	25	✓
5103237	32	32	✓
5103238	38	38	✓
5103239	51	50/51	✓
5103240	63	63	✓
5103241	76	75/76	✓
5103242	104	100/102	✓
5103243	125	125	✓
5103244	150	152	✓



HOSE TAIL FOR SWIVEL FLANGE

V04/09/2016

TECHNICAL INFORMATION

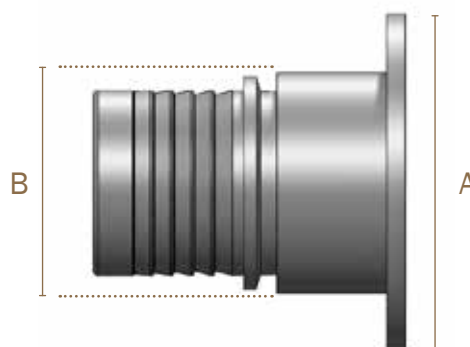
- Shank according to EN 14420-2
- Stub End type C 40S according to ASME/ANSI B16.9

RELATED PRODUCTS

- UTS ferrules
- Safety clamps
- Swivel flanges

www.trelleborg.com/fluidhandling

Contact: robin.lallemand@trelleborg.com



PN 10-16 / PN 10-40 / PN 25-40 / 150 LBS / 300 LBS				SS316
Part number	A (mm)	B (mm)	DN Hose (mm)	Stock
5103415	35.0	21.3	13	✓
5103417	42.9	26.7	20	✓
5103419	50.8	33.4	25	✓
5103421	63.5	42.2	32	✓
5103423	73.0	48.3	38	✓
5103425	92.0	60.3	50/51	✓
5103427	104.6	73.0	63	✓
5103429	127.0	88.9	75/76	✓
5103431	157.2	114.3	100/102	✓
5103433	185.7	141.3	125	✓
5103435	215.9	168.3	152	✓
5103437	269.9	219.1	204	✓

PN 10-16 / PN 10-40 / PN 25-40 / 150 LBS / 300 LBS				CARBON STEEL
Part number	A (mm)	B (mm)	DN Hose (mm)	Stock
5103416	35.0	21.3	13	✓
5103418	42.9	26.7	20	✓
5103420	50.8	33.4	25	✓
5103422	63.5	42.2	32	✓
5103424	73.0	48.3	38	✓
5103426	92.0	60.3	50/51	✓
5103428	104.6	73.0	63	✓
5103430	127.0	88.9	75/76	✓
5103432	157.2	114.3	100/102	✓
5103434	185.7	141.3	125	✓
5103436	215.9	168.3	152	✓
5103438	269.9	219.1	204	✓

WARNING

Choose your swivel flange according pages 2 and 3

SWIVEL FLANGE

Stainless Steel 316

V04/09/2016

TECHNICAL INFORMATION

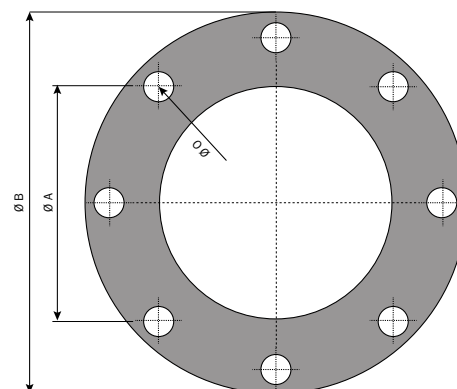
- PN 10/16 - PN 10/40 - PN 25/40 according to NF EN 1092-1
- 150 LBS/300 LBS according to ASME/ANSI B16.5, EN 1759-1
- Material: stainless steel 316L/1.4404

RELATED PRODUCTS

- Swivel Flange End UTS coupling
- Assembly kit (nut + screw + fiber gasket)

www.trelleborg.com/fluidhandling

Contact: robin.lallemand@trelleborg.com



PN 10-16 / PN 10-40 SS316L

Part number	DN (mm)	A (mm)	B (mm)	Hole N x O (mm)
5105024	15	25	95	4 x 14
5105025	20	31	105	4 x 14
5105026	25	38	115	4 x 14
5105027	32	47	140	4 x 18
5105028	40	53	150	4 x 18
5105029	50	65	165	4 x 18
5105030	65	81	185	8 x 18
5105031	80	94	200	8 x 18
5105032	100	120	220	8 x 18
5105033	125	145	250	8 x 18
5105034	150	174	285	8 x 22
5103960	200 (PN10)	226	340	8 x 22
5103961	200 (PN16)	226	340	12 x 22

300 LBS SS316L

5105045	15	22.9	95.3	4 x 15.9
5105046	20	28.2	117.4	4 x 19
5105047	25	35.1	124.0	4 x 19
5105048	32	43.7	133.3	4 x 19
5105049	40	50.0	155.5	4 x 22.2
5105050	50	62.5	165.1	8 x 19
5105051	65	75.4	190.5	8 x 22.2
5105052	80	91.4	209.6	8 x 22.2
5105053	100	116.8	254.0	8 x 22.2
5103965	125	144.5	279.4	8 x 22.2
5103966	150	171.5	317.5	12 x 22.2
5103967	200	222.2	381.0	12 x 25.4

150 LBS SS316L

Part number	DN (mm)	A (mm)	B (mm)	Hole N x O (mm)
5105036	15	22.9	88.9	4 x 15.9
5105037	20	28.2	98.5	4 x 15.9
5105038	25	35.1	107.9	4 x 15.9
5105039	32	43.7	117.3	4 x 15.9
5105040	40	50.0	127.0	4 x 15.9
5105041	50	62.5	152.4	4 x 19
5105042	65	75.4	177.8	4 x 19
5105043	80	91.4	190.5	4 x 19
5105044	100	116.8	228.6	8 x 19
5103962	125	144.5	254.0	8 x 22.2
5103963	150	171.5	279.4	8 x 22.2
5103964	200	222.2	342.9	8 x 22.2

SWIVEL FLANGE

Carbon Steel

V04/09/2016

TECHNICAL INFORMATION

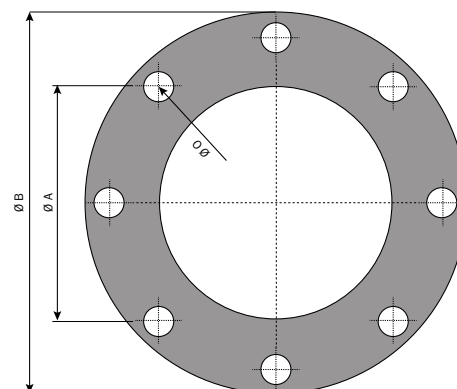
- PN 10/16 - PN 10/40 - PN 25/40 according to NF EN 1092-1
- 150 LBS/300 LBS according to ASME/ANSI B16.5, EN 1759-1
- Material: S235 JR or equivalent

RELATED PRODUCTS

- Swivel Flange End UTS coupling
- Assembly kit (nut + screw + fiber gasket)

www.trelleborg.com/fluidhandling

Contact: robin.lallemand@trelleborg.com



PN 10-16 / PN 10-40					150 LBS				
CARBON STEEL					CARBON STEEL				
Part number	DN (mm)	A (mm)	B (mm)	Hole N x O (mm)	Part number	DN (mm)	A (mm)	B (mm)	Hole N x O (mm)
5103874	15	25	95	4 x 14	5103936	15	22.9	88.9	4 x 15.9
5103875	20	31	105	4 x 14	5103937	20	28.2	98.5	4 x 15.9
5103876	25	38	115	4 x 14	5103938	25	35.1	107.9	4 x 15.9
5103877	32	47	140	4 x 18	5103939	32	43.7	117.3	4 x 15.9
5103878	40	53	150	4 x 18	5103940	40	50.0	127.0	4 x 15.9
5103879	50	65	165	4 x 18	5103941	50	62.5	152.4	4 x 19
5103880	65	81	185	8 x 18	5103942	65	75.4	177.8	4 x 19
5103881	80	94	200	8 x 18	5103943	80	91.4	190.5	4 x 19
5103882	100	120	220	8 x 18	5103944	100	116.8	228.6	8 x 19
5103883	125	145	250	8 x 18	5103945	125	144.5	254.0	8 x 22.2
5103884	150	174	285	8 x 22	5103946	150	171.5	279.4	8 x 22.2
5103885	200 (PN10)	226	340	8 x 22	5103947	200	222.2	342.9	8 x 22.2
5103886	200 (PN16)	226	340	12 x 22					
300 LBS					CARBON STEEL				
5103948	15	22.9	95.3	4 x 15.9					
5103949	20	28.2	117.4	4 x 19					
5103950	25	35.1	124.0	4 x 19					
5103951	32	43.7	133.3	4 x 19					
5103952	40	50.0	155.5	4 x 22.2					
5103953	50	62.5	165.1	8 x 19					
5103954	65	75.4	190.5	8 x 22.2					
5103955	80	91.4	209.6	8 x 22.2					
5103956	100	116.8	254.0	8 x 22.2					
5103957	125	144.5	279.4	8 x 22.2					
5103958	150	171.5	317.5	12 x 22.2					
5103959	200	222.2	381.0	12 x 25.4					



FERRULE

V04/09/2016

TECHNICAL INFORMATION

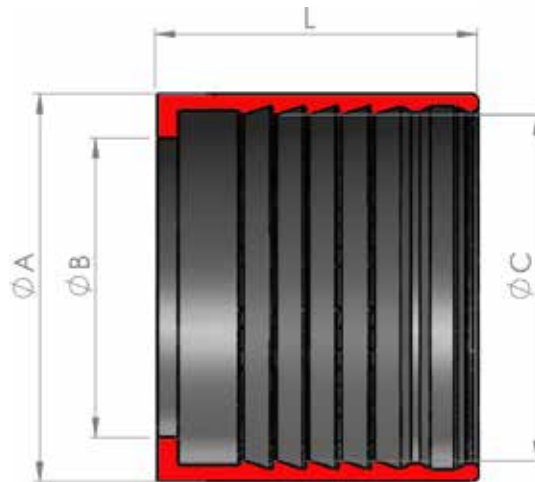
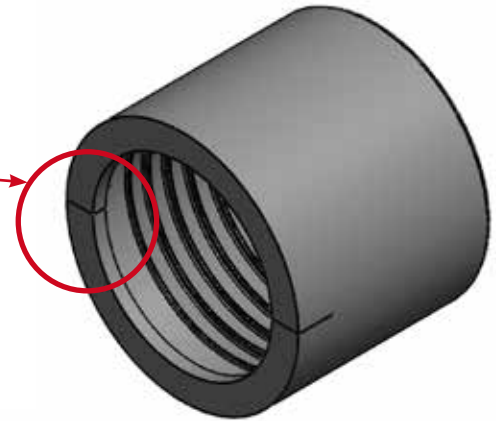
- Material : - stainless steel 304L
- zing plated steel
- Snicks (0.2 mm): fittings recovery
- According to UTS design: limited retention area

RELATED PRODUCTS

- UTS couplings

www.trelleborg.com/fluidhandling

Contact: robin.lallemand@trelleborg.com



212.00FERRULE

DN	Carbon steel	Stainless steel	Ø A	Ø B	Ø C	L	Stock
	Article number	Article number					✓
13	5103202	5103190	30	20	25	46	✓
19	5103203	5103191	39	27	32	46	✓
25	5103204	5103192	46	32	39	46	✓
32	5103205	5103193	53	38	46	46	✓
38	5103206	5103194	60	45.8	53	46	✓
50	5103207	5103195	74.5	59.7	67.5	54	✓
63	5103208	5103196	88.5	74	81.5	68	✓
75	5103209	5103197	101.5	86.5	94	80	✓
100	5103210	5103198	128.5	112.5	120	100	✓
125	5103211	5103199	158	134	148.5	124	✓
150	5103212	5103200	188	165	177	165.5	✓
200	5103213	5103201	247	220	234	220	✓




SAFETY CLAMP (Stainless steel 316)

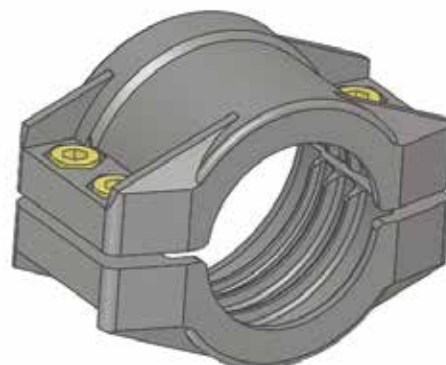
V04/09/2016

TECHNICAL INFORMATION

- Material : stainless steel 316
- Included stainless steel bolt and nuts
- According to EN 1440-3

RELATED PRODUCTS

- All UTS couplings
- All couplings according to EN14420
- Autoblock nut 



www.trelleborg.com/fluidhandling

Contact: robin.lallemand@trelleborg.com

SS 316

DN Hose	Ref	Size	Material	Min. OD Hose (mm)	Max. OD Hose (mm)	According to EN 14420-3	Stock
13	0117567	13 x 5	SS 316	22	24	yes	✓
19	0117568	19 x 6	SS316	30	33	yes	✓
25	0117569	25 x 6	SS 316	36	39	yes	✓
32	0117570	32 x 6	SS 316	43	46	yes	✓
38	0117571	38 x 6,5	SS 316	50	53	yes	✓
50-51	5108976	50 x 6	SS 316	60	64	-	✓
50-51	0117572	50 x 8	SS 316	63	67	yes	✓
63-65	5108975	63 x 6	SS 316	73	77	-	✓
63-65	0117573	63 x 8 - 65 X 7	SS 316	78	82	yes	✓
75-76	5103181	75 x 6,5	SS 316	86	90	-	✓
75-76	0117574	75 x 8	SS 316	89	93	yes	✓
100-102	0117575	100 x 8	SS 316	114	119	yes	✓
150-152	5105349	150 x 10	SS 316	167	173	yes	✓




SAFETY CLAMP (Aluminium)

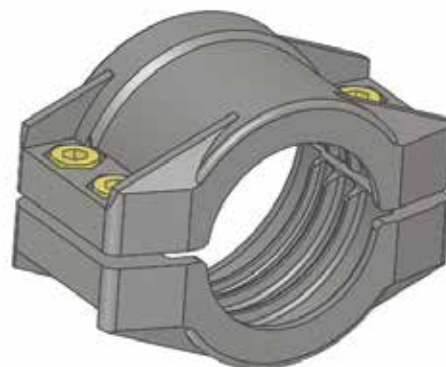
V04/09/2016

TECHNICAL INFORMATION

- Material : aluminium
- Included zinc plated bolt and nuts
- According to EN 1440-3

RELATED PRODUCTS

- All UTS couplings
- All couplings according to EN14420
- Autoblock nut 



www.trelleborg.com/fluidhandling

Contact: robin.lallemand@trelleborg.com

SS 316

DN Hose	Ref	Size	Material	Min. OD Hose (mm)	Max. OD Hose (mm)	According to EN 14420-3	Stock
13	0117561	13 x 5	ALUMINIUM	22	24	yes	✓
19	0113472	19 x 6	ALUMINIUM	30	33	yes	✓
25	0732019	25 x 6	ALUMINIUM	36	39	yes	✓
25	0117562	25 x 8	ALUMINIUM	40	43	-	✓
32	0732020	32 x 6	ALUMINIUM	43	46	yes	✓
32	0117563	32 x 8	ALUMINIUM	46	50	-	✓
38	5108977	38 x 5	ALUMINIUM	47	44	-	✓
38	0731663	38 x 6,5	ALUMINIUM	50	53	yes	✓
38	0111749	38 x 8	ALUMINIUM	53	56	-	✓
38	0112011	38 x 10	ALUMINIUM	57	60	-	✓
40	0111985	40 x 7	ALUMINIUM	54	58	-	✓
50	5103175	50 x 2	ALUMINIUM	52	56	-	✓
50	5102436	50 x 5	ALUMINIUM	58	62	-	✓
50	5101018	50 x 6	ALUMINIUM	60	64	-	✓
50	0731664	50 x 8	ALUMINIUM	63	67	yes	✓
50	0111886	50 x 10	ALUMINIUM	68	72	-	✓

1/2



SAFETY CLAMP (Aluminium)

V04/09/2016

SS 316

DN Hose	Ref	Size	Material	Min. OD Hose (mm)	Max. OD Hose (mm)	According to EN 14420-3	Stock
65	5102976	63 x 6	ALUMINIUM	73	77	-	✓
65	0111750	63 x 8 - 65 x 7	ALUMINIUM	78	82	yes	✓
65	0111891	65 x 10	ALUMINIUM	83	87	-	✓
75	0731666	75 x 8	ALUMINIUM	89	93	yes	✓
75	0732012	75 x 10	ALUMINIUM	93	97	-	✓
75	0117564	75 x 12	ALUMINIUM	97	101	-	✓
80	0111751	80 x 8	ALUMINIUM	95	98	-	✓
80	0111895	80 x 10	ALUMINIUM	98	102	-	✓
90	5105883	90 x 5,5	ALUMINIUM	99	103	-	✓
100	0731667	100 x 8	ALUMINIUM	114	119	yes	✓
100	0111899	100 x 10	ALUMINIUM	118	122	-	✓
100	0111249	100 x 12	ALUMINIUM	122	126	-	✓
100	0111582	100 x 14	ALUMINIUM	126	130	-	✓
100	0113652	100 x 16	ALUMINIUM	130	134	-	✓
110	5105884	110 x 6,5	ALUMINIUM	121	125	-	✓
125	0111752	125 x 10	ALUMINIUM	143	147	-	✓
125	0117565	125 x 15	ALUMINIUM	153	157	-	✓
150	0111753	150 x 10	ALUMINIUM	167	173	yes	✓
150	0117566	150 x 13	ALUMINIUM	174	178	-	✓
150	0111754	150 x 15	ALUMINIUM	178	182	-	✓
200	0111756	200 x 12	ALUMINIUM	222	229	yes	✓

2/2

