



**SMS**

V04/09/2016

**TECHNICAL INFORMATION**

- Thread according DIN 405
- Shank according to EN 14420-2
- Material: stainless steel 316L/1.4404
- Working pressure: 16 bar

**RELATED PRODUCTS**

- UTS ferrules
- Safety clamps
- SMS gaskets

[www.trelleborg.com/fluidhandling](http://www.trelleborg.com/fluidhandling)

Contact: [robin.lallemand@trelleborg.com](mailto:robin.lallemand@trelleborg.com)



**SMS SS316L**

**Female**

Part number	Coupling size (mm)	DN Hose (mm)	Stock
5103326	25	25	✓
5103327	32	32	✓
5103328	38	38	✓
5103329	51	50/51	✓
5103330	63	63	✓
5103331	76	75/76	✓
5103332	104	100/102	✓



**SMS SS316L**

**Male**

Part number	Coupling size (mm)	DN Hose (mm)	Stock
5103334	25	25	✓
5103335	32	32	✓
5103336	38	38	✓
5103337	51	50/51	✓
5103338	63	63	✓
5103339	76	75/76	✓
5103340	104	100/102	✓
5103341	101.6	100/102	☎

**SMS SS304**

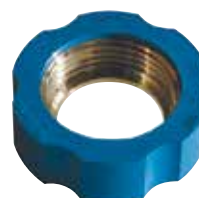
**Nut**

Part number	Coupling size (mm)	Stock
0116978	25	✓
5100284	32	✓
0116872	38	✓
0116862	51	✓
0116865	63	✓
0116868	76	✓
0116874	104	✓
5102654	101.6	☎

**SMS**

**Rubber coated nut**

Part number	Coupling size (mm)	Stock
5101012	25	✓
5100792	38	✓
5100749	51	✓
5100786	63	✓
5100787	76	✓

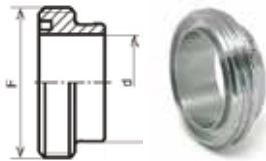




SMS

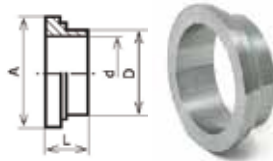
V04/09/2016

**MALE PART**



DN	F	d
25	1"	40x1/6"
38	1 1/2"	60x1/6"
51	2"	70x1/6"
63	2 1/2"	85x1/6"
76	3"	98x1/6"
104	4"	125x1/4"

**FEMALE PART**

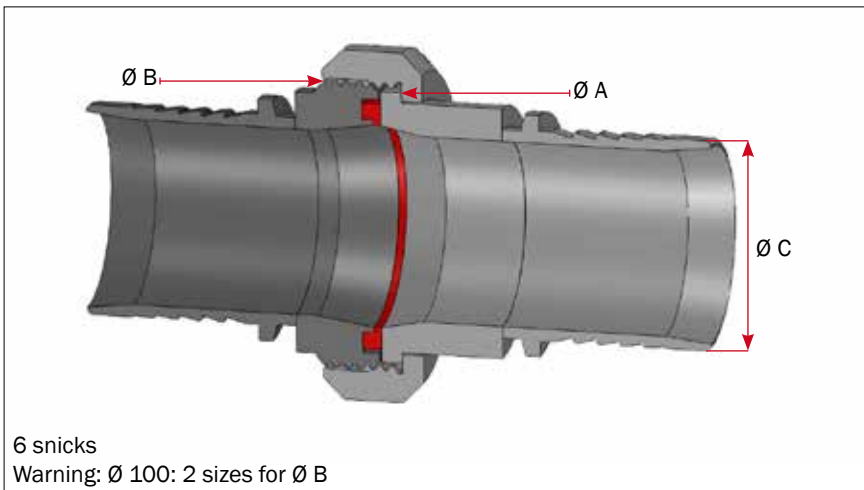


A	d
35,5	22,5
55	35,5
65	48,5
80	60,5
93	72,9
118	100

**NUT**



F	A	B	L
40x1/6"	51	32,5	19
60x1/6"	74	48,5	23
70x1/6"	84	61	24
85x1/6"	100	74	28
98x1/6"	114	87	30
125x1/4"	138	113	31



SMS	A	B	C
25	35.5	40 6 F"	25.2
32	43	48 6 F"	32.5
38	55	60 6 F"	38.5
51	65	70 6 F"	50.5
63	80	85 6 F"	63.5
76	93	98 6 F"	75.5
104	118	125 4 F"	100.6
101.6	118	132 6 F"	100.6