



# FERRULE

V04/09/2016

## TECHNICAL INFORMATION

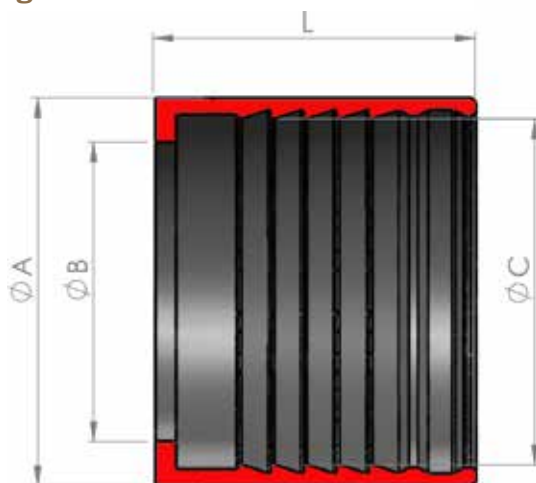
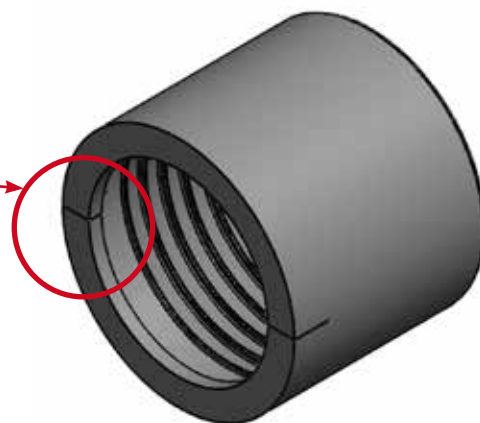
- Material : - stainless steel 304L  
- zing plated steel
- Snicks (0.2 mm): fittings recovery
- According to UTS design: limited retention area

## RELATED PRODUCTS

- UTS couplings

[www.trelleborg.com/fluidhandling](http://www.trelleborg.com/fluidhandling)

Contact: [robin.lallemand@trelleborg.com](mailto:robin.lallemand@trelleborg.com)



### 212.00FERRULE

DN	Carbon steel	Stainless steel	Ø A	Ø B	Ø C	L	Stock
	Article number	Article number					✓
13	5103202	5103190	30	20	25	46	✓
19	5103203	5103191	39	27	32	46	✓
25	5103204	5103192	46	32	39	46	✓
32	5103205	5103193	53	38	46	46	✓
38	5103206	5103194	60	45.8	53	46	✓
50	5103207	5103195	74.5	59.7	67.5	54	✓
63	5103208	5103196	88.5	74	81.5	68	✓
75	5103209	5103197	101.5	86.5	94	80	✓
100	5103210	5103198	128.5	112.5	120	100	✓
125	5103211	5103199	158	134	148.5	124	✓
150	5103212	5103200	188	165	177	165.5	✓
200	5103213	5103201	247	220	234	220	✓