



# Rubber protection ring

ANNEAU DE PROTECTION C/C ANILLO DE PROTECCION C/C

## Rubber protection ring



---

### MATERIAL MATIÈRE MATERIAL

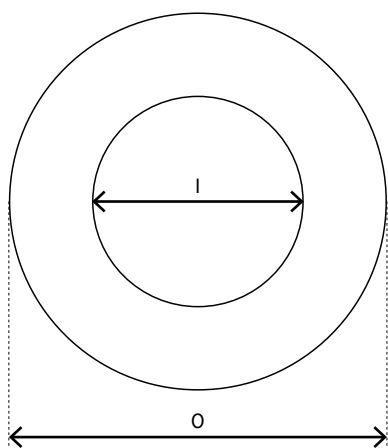
NR = Natural rubber

---

### SIZE DIMENSIONS DIMENSIONES



From ID 35 to 169 mm

---



■ AL = Aluminium 
 ■ BR = Brass Laiton Latón 
 ■ ST = Steel Acier Acero 
 ■ SS = Stainless steel Inox 
 ■ PP = Polypropylene

## Trelleborg Fittings 2015

|   | DN hose | I - O<br>(Inside - Outside) | Packaging | Ref.      | Notes |
|---|---------|-----------------------------|-----------|-----------|-------|
|  <p>Yellow.<br/>Jaune.<br/>Amarillo.</p> | 25      | 35 - 95                     | 10        | 011 75 89 |       |
|   | 32      | 41 - 101                    | 10        | 510 04 21 |       |
|   | 38      | 45 - 105                    | 10        | 011 75 94 |       |
|   | 51      | 60 - 115                    | 10        | 011 76 02 |       |
|   | 63      | 70 - 130                    | 10        | 011 76 61 | NR    |
|   | 76      | 85 - 145                    | 10        | 011 76 62 |       |
|   | 104     | 115 - 170                   | 2         | 011 76 63 |       |
|   | 125     | 143 - 240                   | 2         | 510 01 90 |       |
|   | 150     | 169 - 280                   | 2         | 510 01 91 |       |
|  <p>Red.<br/>Rouge.<br/>Rojo.</p>      | 25      | 35 - 95                     | 10        | 011 82 51 |       |
|   | 38      | 45 - 105                    | 10        | 011 82 52 |       |
|   | 51      | 60 - 115                    | 10        | 011 82 53 |       |
|   | 63      | 70 - 130                    | 10        | 011 82 54 |       |
|   | 70      | 78 - 145                    | 10        | 510 04 71 | NR    |
|   | 76      | 85 - 145                    | 10        | 011 82 55 |       |
|   | 104     | 115 - 170                   | 2         | 011 82 56 |       |
|   | 125     | 143 - 240                   | 2         | 510 05 13 |       |
|   | 150     | 169 - 280                   | 2         | 510 05 14 |       |