



HOSE TAIL FOR SWIVEL FLANGE

V04/09/2016

TECHNICAL INFORMATION

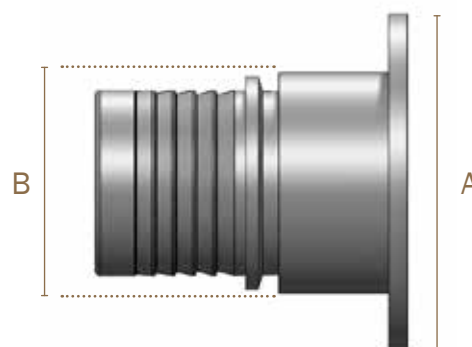
- Shank according to EN 14420-2
- Stub End type C 40S according to ASME/ANSI B16.9

RELATED PRODUCTS

- UTS ferrules
- Safety clamps
- Swivel flanges

www.trelleborg.com/fluidhandling

Contact: robin.lallemand@trelleborg.com



PN 10-16 / PN 10-40 / PN 25-40 / 150 LBS / 300 LBS				SS316
Part number	A (mm)	B (mm)	DN Hose (mm)	Stock
5103415	35.0	21.3	13	✓
5103417	42.9	26.7	20	✓
5103419	50.8	33.4	25	✓
5103421	63.5	42.2	32	✓
5103423	73.0	48.3	38	✓
5103425	92.0	60.3	50/51	✓
5103427	104.6	73.0	63	✓
5103429	127.0	88.9	75/76	✓
5103431	157.2	114.3	100/102	✓
5103433	185.7	141.3	125	✓
5103435	215.9	168.3	152	✓
5103437	269.9	219.1	204	✓

PN 10-16 / PN 10-40 / PN 25-40 / 150 LBS / 300 LBS				CARBON STEEL
Part number	A (mm)	B (mm)	DN Hose (mm)	Stock
5103416	35.0	21.3	13	✓
5103418	42.9	26.7	20	✓
5103420	50.8	33.4	25	✓
5103422	63.5	42.2	32	✓
5103424	73.0	48.3	38	✓
5103426	92.0	60.3	50/51	✓
5103428	104.6	73.0	63	✓
5103430	127.0	88.9	75/76	✓
5103432	157.2	114.3	100/102	✓
5103434	185.7	141.3	125	✓
5103436	215.9	168.3	152	✓
5103438	269.9	219.1	204	✓

WARNING

Choose your swivel flange according pages 2 and 3