



# DIN 11851

V04/09/2016

## TECHNICAL INFORMATION

- Thread according DIN 405
- Shank according to EN 14420-2
- Material: stainless steel 316L/1.4404
- Working pressure: 16 bar



## RELATED PRODUCTS

- UTS ferrules
- Safety clamps
- DIN 11851 gaskets

[www.trelleborg.com/fluidhandling](http://www.trelleborg.com/fluidhandling)

Contact: [robin.lallemand@trelleborg.com](mailto:robin.lallemand@trelleborg.com)



### DIN SS316L

#### Female

Part number	Coupling size (mm)	DN Hose (mm)	Stock
5103359	25	25	✓
5103360	32	32	✓
5103361	40	38	✓
5103362	50	50/51	✓
5103363	65	63	✓
5103364	80	75/76	✓
5103365	100	100/102	✓

### DIN SS316L

#### Male

Part number	Coupling size (mm)	DN Hose (mm)	Stock
5103368	25	25	✓
5103369	32	32	✓
5103370	40	38	✓
5103371	50	50/51	✓
5103372	65	63	✓
5103373	80	75/76	✓
5103374	100	100/102	✓

### DIN SS304

#### Nut

Part number	Coupling size (mm)	Stock
0116985	25	✓
5100287	32	✓
0116934	40	✓
0116739	50	✓
0116910	65	✓
0116913	80	✓
0117012	100	✓

### DIN

#### Rubber coated nut

Part number	Coupling size (mm)	Stock
5101011	25	✓
5101021	32	✓
5100802	40	✓
5100803	50	✓
5100804	65	✓
5103669	80	✓

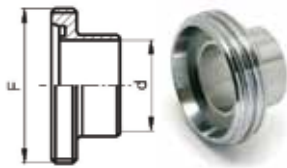




# DIN 11851

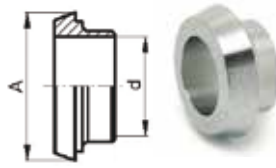
V04/09/2016

**MALE PART**



DN	F	d
10	28x1/8"	10
15	34x1/8"	16
20	44x1/6"	20
25	52x1/6"	26
32	58x1/6"	32
40	65x1/6"	38
50	78x1/6"	50
65	95x1/6"	66
80	110x1/4"	81
100	130x1/4"	100
125	160x1/4"	125
150	190x1/4"	150

**FEMALE PART**

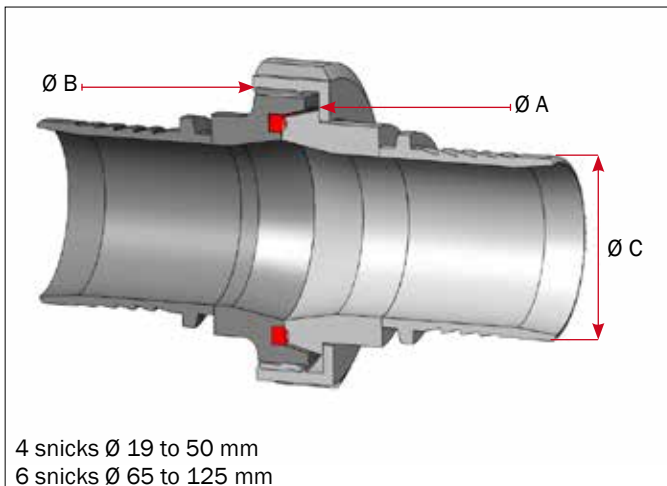


A	d
22	10
28	16
36	20
44	26
50	32
56	38
68	50
86	66
100	81
121	100
150	125
176	150

**NUT**



F	A	L
28x1/8"	38	18
34x1/8"	44	18
44x1/6"	54	21
52x1/6"	63	21
58x1/6"	70	21
65x1/6"	78	21
78x1/6"	92	22
95x1/6"	112	25
110x1/4"	127	30
130x1/4"	148	31
160x1/4"	178	35
190x1/4"	210	40



DIN	A	B	C
25	44	52 6 F"	25.2
32	50	58 6 F"	32.5
40	56	65 6 F"	38.5
50	68	78 6 F"	50.5
65	86	95 6 F"	63.5
80	100	110 4 F"	75.5
100	121	130 4 F"	100.6