



Track Renewal: Vector™

Optimizing track availability

Application Sheet

Vector™ - Restoration of track performance with reduced disruption during renewal work.

The Problem:

Light Rail track renewals can be very disruptive due to:

- Inconvenience and nuisance caused to other road users, adjacent businesses and residents
- Need to suspend or substitute transport provision
- Loss of Revenue



The Solution:

An ideal track renewal solution provides:

- Accurate recovery of track geometry
- Reliable long term rail to earth electrical resistance
- Resilient rail fixing with low stiffness
- Simple and fast installation
- Affordability

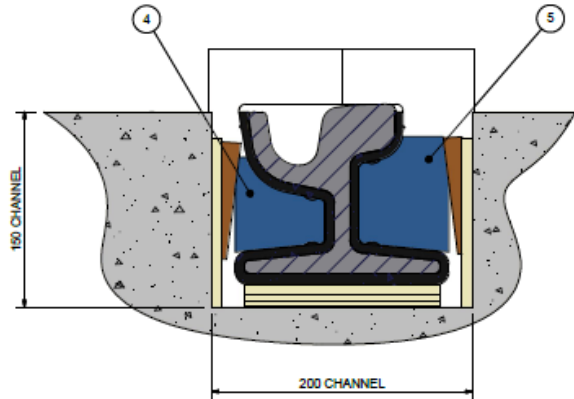
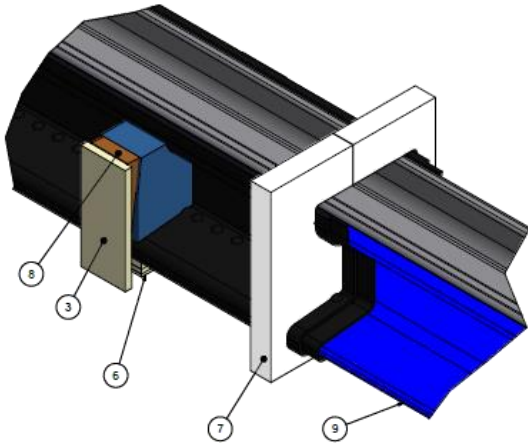


Vector™ Rail Encapsulation offers the most cost-effective combination of stray current performance with the highest levels of vibration mitigation and can deliver the ideal track renewal solution.

For track renewals Vector™ minimises site work by using rail lengths prepared in an offsite facility and delivered on a just-in-time basis.

Case Study:

Vector™ track renewal solution where the old rail has been removed by saw cut to form a slot into which the new rail is to be fixed.



ITEM	QTY	DESCRIPTION	DRAWING NO.
1	4	51R1 RAIL ENCAPSULATION - RAIL BOOT - 4.661M LENGTH INC.TAPE	BB-001-B 11130
2	1	51R1 RAIL ENCAPSULATION - RAIL BOOT - 1.453M LENGTH INC.TAPE	BB-001-B 11131
3	26	SIDE SPACER SHIM - 8MM THICK	BB-001-A 11126
4	13	51R1 RAIL ENCAPSULATION - LOCATION BLOCK - INSIDE - 50MM LONG	BB-001-A 11088
5	13	51R1 RAIL ENCAPSULATION - OUTSIDE BLOCK - INSIDE - 50MM LONG	BB-001-A 11089
6	13	RIGID SHIM SET	BB-001-B 11132
7	2	51R1 RAIL ENCAPSULATION - END CAP	BB-001-A 11129
8	26	WEDGE - 15MM TALL X 45MM WIDE X 90MM LONG - BROWN	SP0253
9	2.5L	TOPCOAT EPX - BLUE	SP0263

Contact Us

Trelleborg Applied Technologies delivers innovative and reliable solutions that maximize business performance to meet your needs. Our dedicated and highly skilled staff are always on hand to provide seamless process support from initial idea, through to delivery and beyond.

Tel: +44 (0) 1777 712500
 Email: appliedtechnologies@trelleborg.com

