



# RAEM Mounting



## RAEM mountings

The RAEM is a universal mounting for applications demanding maximum vibration isolation. It is a further development of the RA mount, where EM stands for 'extra movement' and is suitable for both light and heavy machines.

For normal speeds of 1500 rpm the RAEM type provides a degree of isolation of 85-95%, and gives good isolation with low frequency machines.

The Novibra RAEM is a high performance mount, with a number of advantages:

- RAEM offers nominally 70% extra deflection over standard RA mounts.
- Wide load rating options, 10-3400 kg.
- Corrosion protected to cope with arduous environments on land or marine applications.
- Fitted as standard with an integral fail-safe device with resilient stop, making the RAEM ideal for use in mobile applications. The RAEM mounts can accommodate occasional shock loads to 5g reference to the weight in hardness 60° IRH. The mount will withstand shock loads up to 2g without plastic deformation.
- Clear and durable branding so that the mounting can be identified even after several years in operation.
- Domed shape cover to protect against oil contamination.

## About Trelleborg Industrial AVS

Over 100 years of experience as Metalastik and Novibra, today Trelleborg Industrial AVS make improvements people can physically feel. From smoother travel to quieter, more efficient machines, we make life feel better. With quality, testing and compliance built in, we're in it for the long haul, ensuring your solution still works, over an extended and often arduous life-cycle.

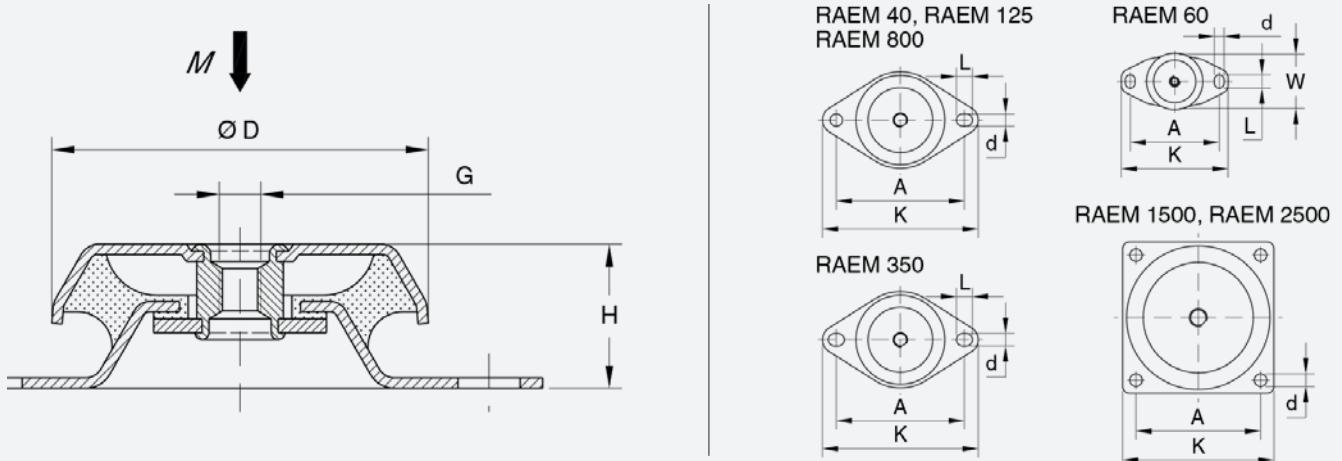
With three state-of-the-art manufacturing plants across the globe, our experience in rubber to metal bonding enhances several industries, including off-highway vehicles, rail and mass transit, marine and energy and general industry.

We offer an end-to-end service, to take you from concept through design, manufacturing and testing to delivery. This reduces the complexity of supply, helping you cut costs, mitigate risk and receive on time, on budget delivery.

Trelleborg IAVS is part of Trelleborg Group, which employs 15,000 people in over 40 countries. Whatever your challenge, whatever your role and wherever you are, we are nearby to offer expert knowledge and quality solutions.

# RAEM Mounting

## Technical Drawing



## Product Data

DRAWING No.	PART No.	TYPE	DIMENSIONS (mm)								MAX LOAD (kg)	WEIGHT (kg)
			D	A	H	K	d	L	G			
17-4023-1	10-00112	RAEM 40 40 IRH	64	88	35.5	110	9	12	M10	30	0.26	
17-4024-1	10-00123	RAEM 40 60 IRH	64	88	35.5	110	9	12	M10	60	0.26	
17-4025-1	10-00183	RAEM 60 40 IRH	63	100	35.5	120	11	15	M12	60	0.3	
17-4026-1	10-00184	RAEM 60 60 IRH	63	100	35.5	120	11	15	M12	120	0.3	
17-2336-1	10-00108	RAEM 125 40 IRH	84	110	35.5	135	11	15	M10	80	0.37	
17-2338-1	10-00109	RAEM 125 60 IRH	84	110	35.5	135	11	15	M10	180	0.37	
17-2336-2	10-00168	RAEM 125 40 IRH	84	110	35.5	135	11	15	M12	80	0.37	
17-2338-2	10-00169	RAEM 125 60 IRH	84	110	35.5	135	11	15	M12	180	0.37	
17-2341-1	10-00174	RAEM 350 40 IRH	110	140-148	42	175	14	18	M12	200	0.8	
17-2342-1	10-00175	RAEM 350 60 IRH	110	140-148	42	175	14	18	M12	400	0.8	
17-2341-2	10-00114	RAEM 350 40 IRH	110	148-148	42	175	14	18	M16	200	0.8	
17-2342-2	10-00115	RAEM 350 60 IRH	110	148-148	42	175	14	18	M16	400	0.8	
17-2347-2	10-00120	RAEM 800 40 IRH	155	182	54	216	14	18	M16	450	1.8	
17-2348-1	10-00121	RAEM 800 60 IRH	155	182	54	216	14	18	M16	800	1.8	
17-4020-1	10-00158	RAEM 1500 40 IRH	182	146	85	180	14	-	M20	900	3	
17-4018-1	10-00159	RAEM 1500 60 IRH	182	146	85	180	14	-	M20	1700	3	
17-4021-2	10-00160	RAEM 2500 40 IRH	224	80	105.5	220	17.5	-	M24	1700	4.6	
17-4022-1	10-00161	RAEM 2500 60 IRH	224	80	105.5	220	17.5	-	M24	3400	4.6	



[WWW.TRELLEBORG.COM/ANTI-VIBRATION-SOLUTIONS](http://WWW.TRELLEBORG.COM/ANTI-VIBRATION-SOLUTIONS)

For further information visit our website or e-mail [industrialavs@trelleborg.com](mailto:industrialavs@trelleborg.com)

The content in this datasheet was correct at the time of printing, but is subject to change without notice.