



Equi-frequency Mounting, small

17/1566 | 17/0389



Equi-frequency mountings - small

General purpose low-profile mounting for use where space is restricted. Suitable for stationary applications. May also be used to protect delicate or sensitive equipment from shock or disturbances.

Each design has substantially the same stiffness in vertical and horizontal directions. Load range 11 kg to 54 kg. Can be used as small anti-shock mounting when static loadings are derated.

Typical applications include:

- Instrumental panels
- Small fan sets
- Small vacuum pumps
- Small reciprocating engines

About Trelleborg Industrial AVS

Over 100 years of experience as Metalastik and Novibra, today Trelleborg Industrial AVS make improvements people can physically feel. From smoother travel to quieter, more efficient machines, we make life feel better. With quality, testing and compliance built in, we're in it for the long haul, ensuring your solution still works, over an extended and often arduous life-cycle.

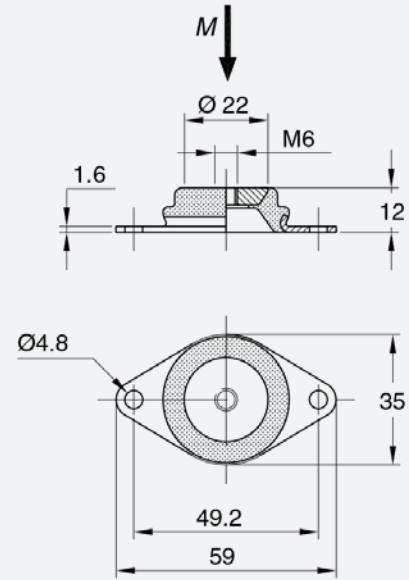
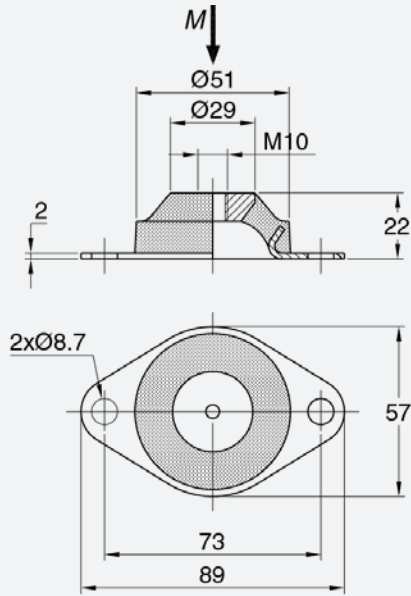
With three state-of-the-art manufacturing plants across the globe, our experience in rubber to metal bonding enhances several industries, including off-highway vehicles, rail and mass transit, marine and energy and general industry.

We offer an end-to-end service, to take you from concept through design, manufacturing and testing to delivery. This reduces the complexity of supply, helping you cut costs, mitigate risk and receive on time, on budget delivery.

Trelleborg IAVS is part of Trelleborg Group, which employs 15,000 people in over 40 countries. Whatever your challenge, whatever your role and wherever you are, we are nearby to offer expert knowledge and quality solutions.

Equi-frequency mounting 17/1566 | 17/0389

Technical Drawing



Product Data

DRAWING No.	PART No.	TYPE	MAX LOAD (kg)	STIFFNESS (N/mm)	WEIGHT (kg)
17-1566	10-00529	45 IRH	11	75	0.024
17-1566	10-00530	60 IRH	22	130	0.024
17-0389	10-00406	45 IRH	27	100	0.1
17-0389	10-00407	60 IRH	54	180	0.1