

Multigate MH16 F 17-1

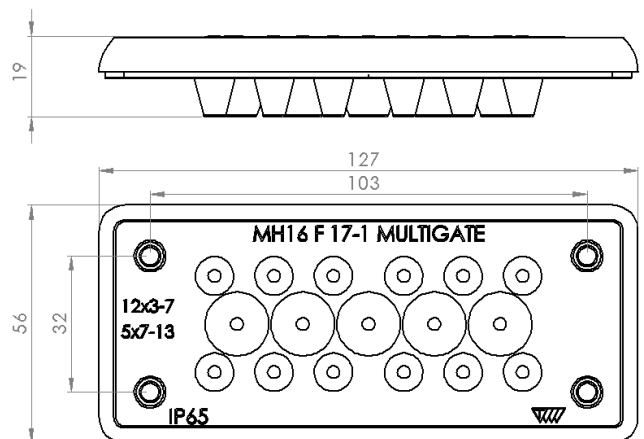


Multigate MH16 F 17-1 is a new plastic reinforced cable gland suitable for leading through cables and various types of tubing. It matches the cut out dimensions of 16-pole standard industrial connectors. No separate gasket is needed.

This Multigate gives total protection against ingress of dust and against water splashed from all directions. It is suitable for both indoor and outdoor use. IP classification is IP65, and the materials are fire retardant and halogen free.

Multigate MH16 F 17-1 will lead through and seal cables as follows:

Code	Colour
3 – 7 mm	12 pcs
7 – 13 mm	5 pcs
107292	Black
107295	Light Grey



Trelleborg Industrial Products Finland Oy

Pekka Nurmi
Key Account Manager
+358 40 199 0898
pekka.nurmi@trelleborg.com

Kari Nieminen
Key Account Manager
+358 50 911 8266
kari.nieminen@trelleborg.com

Stefan Hülsiggensen
Regional Sales Manager Europe
+49 173 6465120
stefan.huelsiggensen@trelleborg.com

