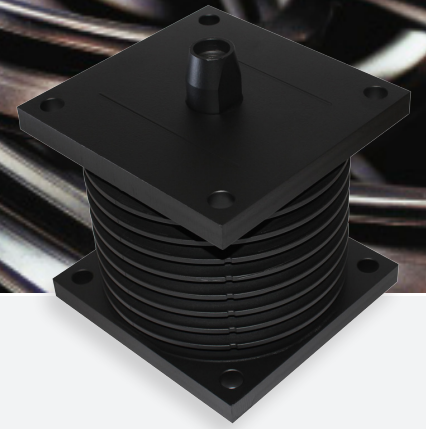




Axle Suspension Tower Springs



Axle Suspension Tower Springs

Each component is manufactured from high strength steel with high impact and wear characteristics with heavy-duty top and bottom plates to resist negative loading and provide safe anchor points.

There is also a built in fail-safe device to prevent total mount failure in the case of severe overload. These are also manufactured from the highest-grade steel to provide high tensile strength without compromising embrittlement.

Trelleborg IAVS suspension springs are designed to provide a maintenance free flexible load bearing component allowing angular and shear movement whilst supporting high axial loads.

The latest FE analysis technology has been applied to ensure maximum reliability and minimum stress points whilst maintaining an uncomplicated design to minimize manufacturing costs.

About Trelleborg Industrial AVS

Over 100 years of experience as Metalastik and Novibra, today Trelleborg Industrial AVS make improvements people can physically feel. From smoother travel to quieter, more efficient machines, we make life feel better. With quality, testing and compliance built in, we're in it for the long haul, ensuring your solution still works, over an extended and often arduous life-cycle.

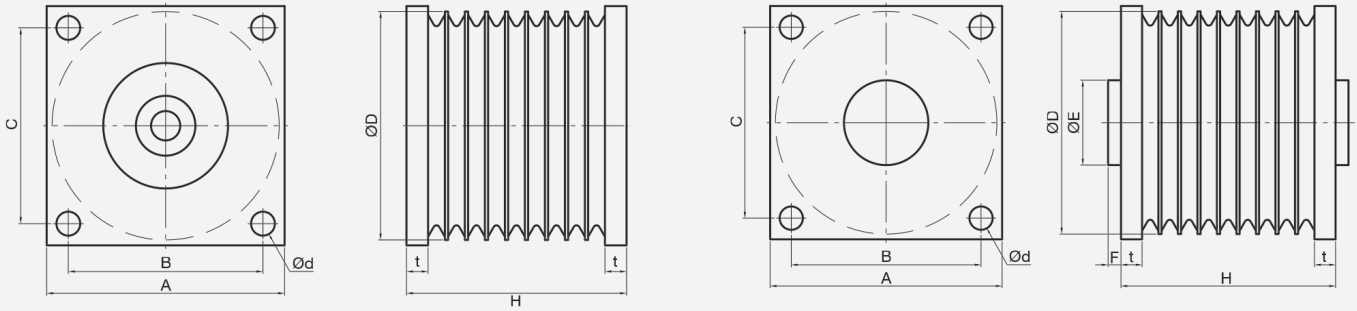
With three state-of-the-art manufacturing plants across the globe, our experience in rubber to metal bonding enhances several industries, including off-highway vehicles, rail and mass transit, marine and energy and general industry.

We offer an end-to-end service, to take you from concept through design, manufacturing and testing to delivery. This reduces the complexity of supply, helping you cut costs, mitigate risk and receive on time, on budget delivery.

Trelleborg IAVS is part of Trelleborg Group, which employs 15,000 people in over 40 countries. Whatever your challenge, whatever your role and wherever you are, we are nearby to offer expert knowledge and quality solutions.

Axle Suspension Tower Springs

Technical Drawing



Product Data

TYPE	DIMENSIONS (MM)									FAIL SAFE SYSTEM	MAX. LOAD kN
	A	B	C	D	d	E	F	H	t		
10-01640-01	190	150	160	180	17	-	-	180	15	BOLT	150
10-01641-01	190	150	160	180	17	-	-	182	15	BOLT	150
10-01677-01	220	180	180	210	22	-	-	203	20	BOLT	400
10-03501-01	170	140	140	165	14	55	18	150	9.5	CHAIN	55
10-03132-01	190	150	160	184	16.5	-	-	185	10	N/A	70
10-00951-01	190	150	160	184	16.5	80	25	185	10	CHAIN	70



WWW.TRELLEBORG.COM/ANTI-VIBRATION-SOLUTIONS

For further information visit our website or e-mail industrialavs@trelleborg.com

The content in this datasheet was correct at the time of printing, but is subject to change without notice.