



# Metacone Mounting



## Metacone Mounting

The metacone product range is designed for high load capacity with relatively large static deflections. The high loading for a given size is achieved by utilizing the rubber to best advantage in shear and compression. Typically the mountings are assembled with overload and rebound washers to control and limit movement of the suspended equipment under shock loads. Centre fixing bolts should be torque tightened to the recommended values.

Their compact fail-safe design is available for a wide range of loadings, with in some cases, alternative fixings.

Cut-outs in rubber sections on various sizes provide different vertical/horizontal stiffness ratio.

Applications include:

- Off-highway and road vehicle engines
- Vehicle cabs
- Oil tanks/ tankers
- Mobile applications

## About Trelleborg Industrial AVS

Over 100 years of experience as Metalastik and Novibra, today Trelleborg Industrial AVS make improvements people can physically feel. From smoother travel to quieter, more efficient machines, we make life feel better. With quality, testing and compliance built in, we're in it for the long haul, ensuring your solution still works, over an extended and often arduous life-cycle.

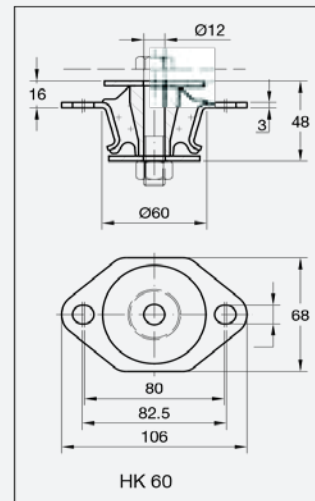
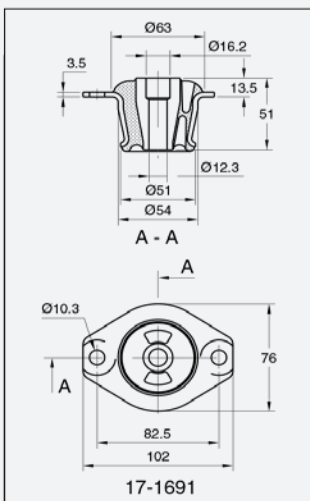
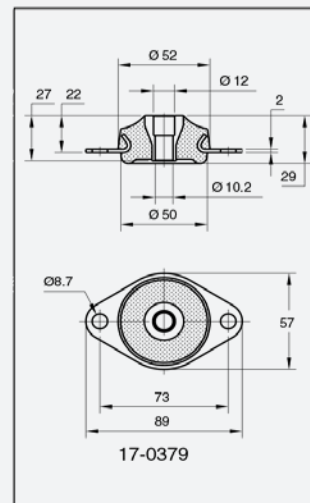
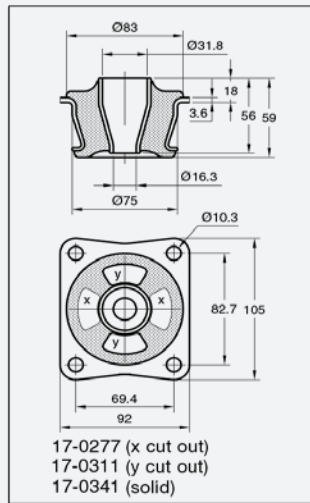
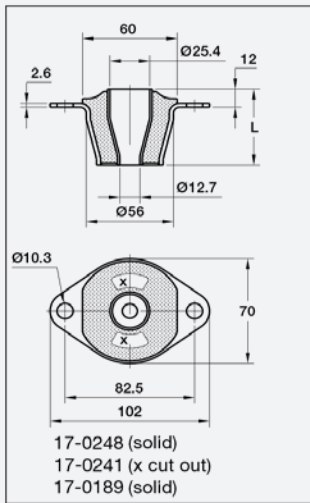
With three state-of-the-art manufacturing plants across the globe, our experience in rubber to metal bonding enhances several industries, including off-highway vehicles, rail and mass transit, marine and energy and general industry.

We offer an end-to-end service, to take you from concept through design, manufacturing and testing to delivery. This reduces the complexity of supply, helping you cut costs, mitigate risk and receive on time, on budget delivery.

Trelleborg IAVS is part of Trelleborg Group, which employs 15,000 people in over 40 countries. Whatever your challenge, whatever your role and wherever you are, we are nearby to offer expert knowledge and quality solutions.

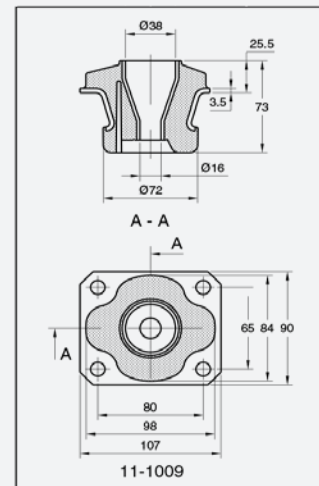
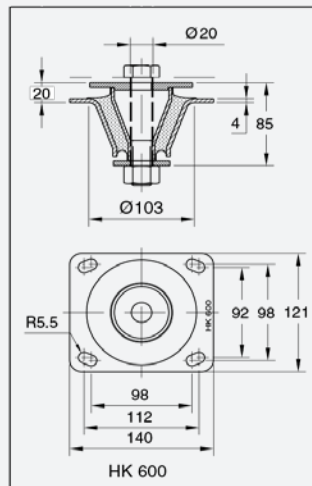
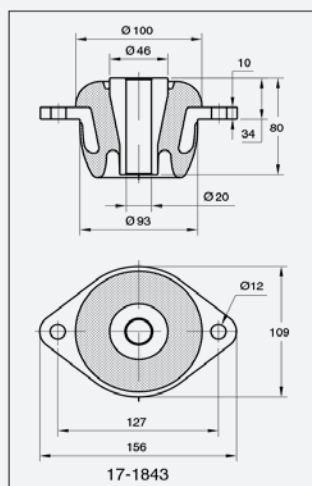
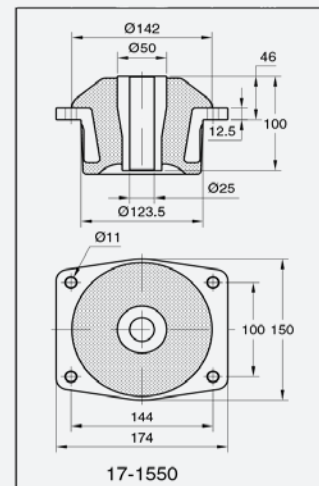
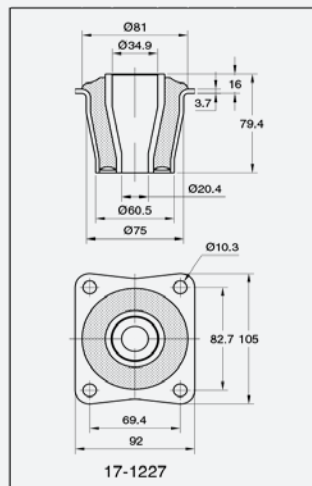
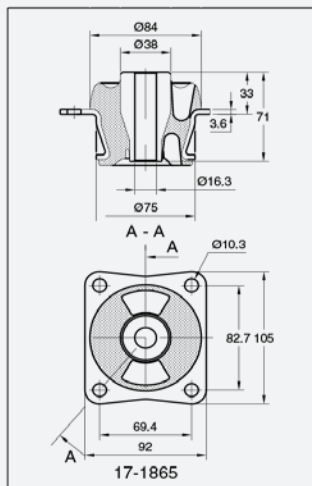
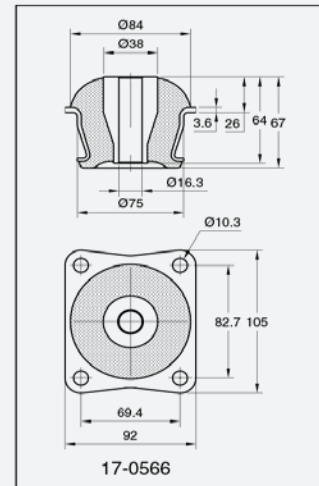
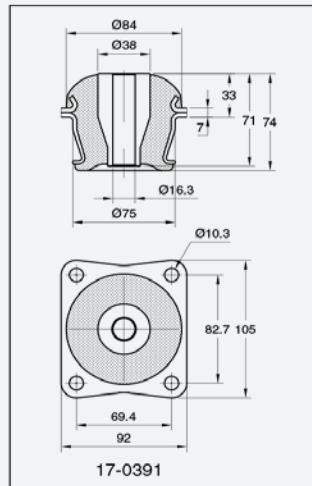
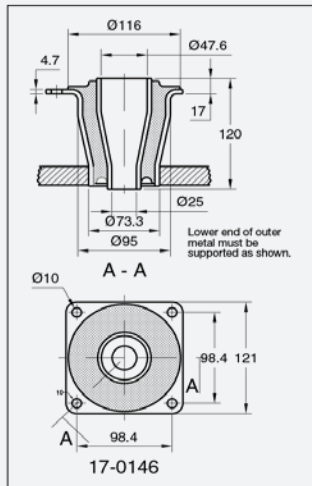
# Metacone Mounting

## Technical Drawing



# Metacone Mounting

## Technical Drawing





DRAWING No.	PART No.	TYPE	MAX LOAD (kg)	BOLT SIZE	MAX BOLT TORQUE (Nm)	TOP WASHER PART No.	BOTTOM WASHER PART No.	WEIGHT (kg)
17-0379	10-00404	40 IRH	70	M10	25	20-00531	20-00531	0.12
17-0241	10-00374	45 IRH	62	M12	40	20-00529	10-03666	0.18
17-0241	10-00375	60 IRH	122	M12	40	20-00529	10-03666	0.18
17-0248	10-00379	45 IRH	95	M12	40	20-00529	10-03666	0.19
17-0248	10-00380	60 IRH	190	M12	40	20-00529	10-03666	0.19
17-4039	10-01119	HK 60-40 IRH	65	M12	40	20-01103	20-00416	0.24
17-4039	10-01122	HK 60-50 IRH	85	M12	40	20-01103	20-00416	0.24
17-4039	10-01120	HK 60-60 IRH	135	M12	40	20-01103	20-00416	0.24
17-4039	10-01121	HK 60-70 IRH	190	M12	40	20-01103	20-00416	0.24
17-0189	10-00365	45 IRH	145	M12	40	20-00529	10-03666	0.28
17-0189	10-00367	70 IRH	400	M12	40	20-00529	10-03666	0.28
17-1691	10-00566	45 IRH	72	M12	90	20-00535	20-00536	0.44
17-1691	10-00567	60 IRH	144	M12	90	20-00535	20-00536	0.44
17-0277	10-00385	45 IRH	125	M16	75	20-00773	20-00532	0.56
17-0277	10-00387	60 IRH	230	M16	75	20-00773	20-00532	0.56
17-0311	10-00391	45 IRH	125	M16	75	20-00773	20-00532	0.58
17-0311	10-00392	60 IRH	220	M16	75	20-00773	20-00532	0.58
17-0341	10-00394	45 IRH	160	M16	75	20-00773	20-00532	0.54
17-0341	10-00395	60 IRH	300	M16	75	20-00773	20-00532	0.54
17-0341	10-00396	70 IRH	430	M16	75	20-00773	20-00532	0.54

DRAWING No.	PART No.	TYPE	MAX LOAD (kg)	BOLT SIZE	MAX BOLT TORQUE (Nm)	TOP WASHER PART No.	BOTTOM WASHER PART No.	WEIGHT (kg)
11-1009	10-00192	45 IRH	140	M16	75	20-00532	20-00532	0.59
11-1009	10-00193	55 IRH	200	M16	75	20-00532	20-00532	0.59
17-0566	10-00433	45 IRH	200	M16	135	20-00532	20-00532	0.82
17-0566	10-00434	60 IRH	380	M16	135	20-00532	20-00532	0.82
17-0566	10-00435	70 IRH	525	M16	135	20-00532	20-00532	0.82
17-1865	10-00615	55 IRH	180	M16	135	20-00532	20-00532	0.86
17-0391	10-00411	45 IRH	290	M16	135	20-00532	20-00532	1.1
17-0391	10-00414	60 IRH	500	M16	135	20-00532	20-00532	1.1
17-0391	10-00415	70 IRH	610	M16	135	20-00532	20-00532	1.1
17-1227	10-00459	45 IRH	560	M20	180	20-00528	10-03707	1.1
17-1227	10-00460	60 IRH	1000	M20	180	20-00528	10-03707	1.1
17-1843	20-02529	45 IRH	320	M24	160	20-00533	20-00533	1.7
17-1843	20-02530	60 IRH	600	M24	160	20-00533	20-00533	1.7
17-1550	20-02522	45 IRH	720	M24	260	20-00534	20-00534	4.4
17-1550	20-02523	60 IRH	1250	M24	260	20-00534	20-00534	4.4
17-4040	10-00190	HK 600-40 IRH	685	M20	160	20-00643	20-00644	1
17-4040	10-00191	HK 600-60 IRH	1260	M20	160	20-00643	20-00644	1
17-0146	10-00360	45 IRH	950	M24	200	20-00527	10-03862	2