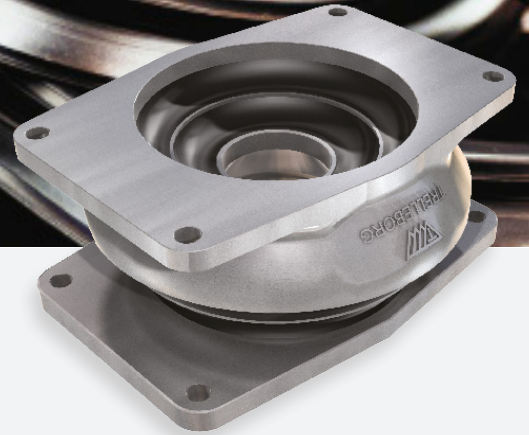




Equi-frequency Mount, Large



17/1472 | 17/1544

Equi-frequency Large

In common with the range of smaller Equi-Frequency mountings, these heavy duty parts have substantially the same stiffness in all directions.

With two sizes of mounts produced in two rubber compounds it is possible to support static loads from 40 to 215kN. Parts are available with ferrous and non magnetic metal parts. Rubber sections are protected with an MOD approved protective lacquer to reduce oil and ozone attack

Equi-Frequency mountings are designed to meet the shock requirements of MAP 01-470 (UK MOD)

This range of mountings was designed to support and isolate Marine propulsion engines, Generator sets, Gas Turbine engines, Reactors and Machinery Rafts

About Trelleborg Industrial AVS

Over 100 years of experience as Metalastik and Novibra, today Trelleborg Industrial AVS make improvements people can physically feel. From smoother travel to quieter, more efficient machines, we make life feel better. With quality, testing and compliance built in, we're in it for the long haul, ensuring your solution still works, over an extended and often arduous life-cycle.

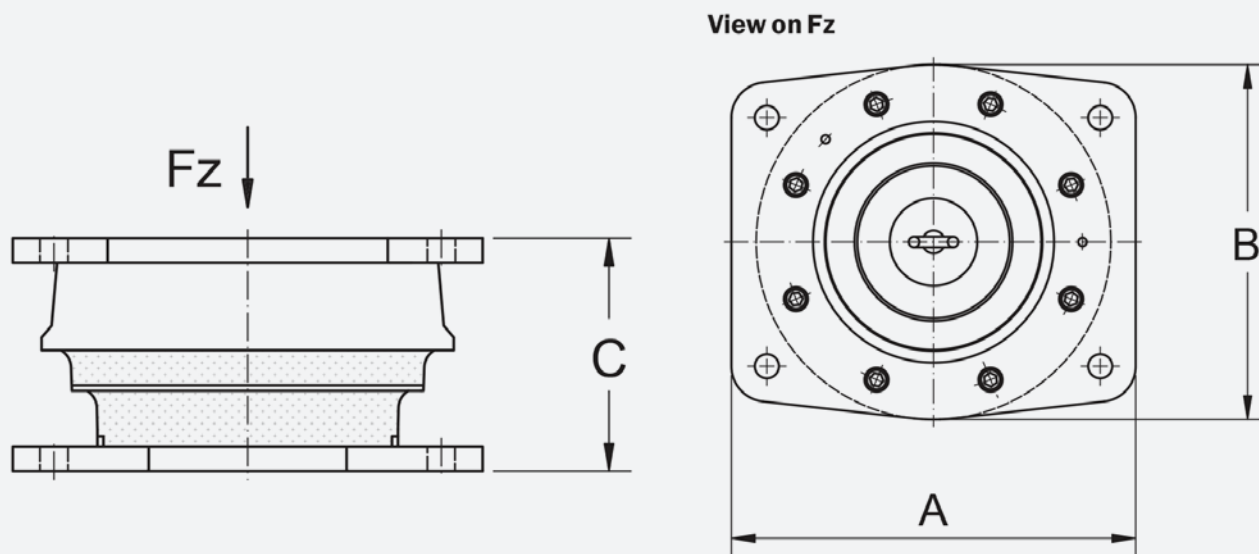
With three state-of-the-art manufacturing plants across the globe, our experience in rubber to metal bonding enhances several industries, including off-highway vehicles, rail and mass transit, marine and energy and general industry.

We offer an end-to-end service, to take you from concept through design, manufacturing and testing to delivery. This reduces the complexity of supply, helping you cut costs, mitigate risk and receive on time, on budget delivery.

Trelleborg IAVS is part of Trelleborg Group, which employs 15,000 people in over 40 countries. Whatever your challenge, whatever your role and wherever you are, we are nearby to offer expert knowledge and quality solutions.

Equi-frequency - Large 17/1472 | 17/1544

Technical Drawing



Product Data

DRAWING No.	TYPE	DIMENSIONS (mm)			MAX LOAD (kN)	STATIC STIFFNESS (kN/mm)	DYNAMIC STIFFNESS (kN/mm)	WEIGHT (kg)
		A	B	C				
17-1472	45 IRH	346	305	152	40	2.45	2.82	31
17-1472	60 IRH	346	305	152	74	4.6	6	31
17-1544	45 IRH	570	500	283	115	8	9.3	192
17-1544	60 IRH	570	500	283	215	14.2	18.5	192



WWW.TRELLEBORG.COM/ANTI-VIBRATION-SOLUTIONS

For further information visit our website or e-mail industrialavs@trelleborg.com

The content in this datasheet was correct at the time of printing, but is subject to change without notice.