



# Buffer Pad

## Buffers

Buffers are designed to protect structures and equipment from impact forces. They are usually fitted as non-metallic stops or incorporated in vehicle suspension systems to provide progressive stiffening under increasing load.

Circular and rectangular types are easily fitted.

## About Trelleborg Industrial AVS

Over 100 years of experience as Metalastik and Novibra, today Trelleborg Industrial AVS make improvements people can physically feel. From smoother travel to quieter, more efficient machines, we make life feel better. With quality, testing and compliance built in, we're in it for the long haul, ensuring your solution still works, over an extended and often arduous life-cycle.

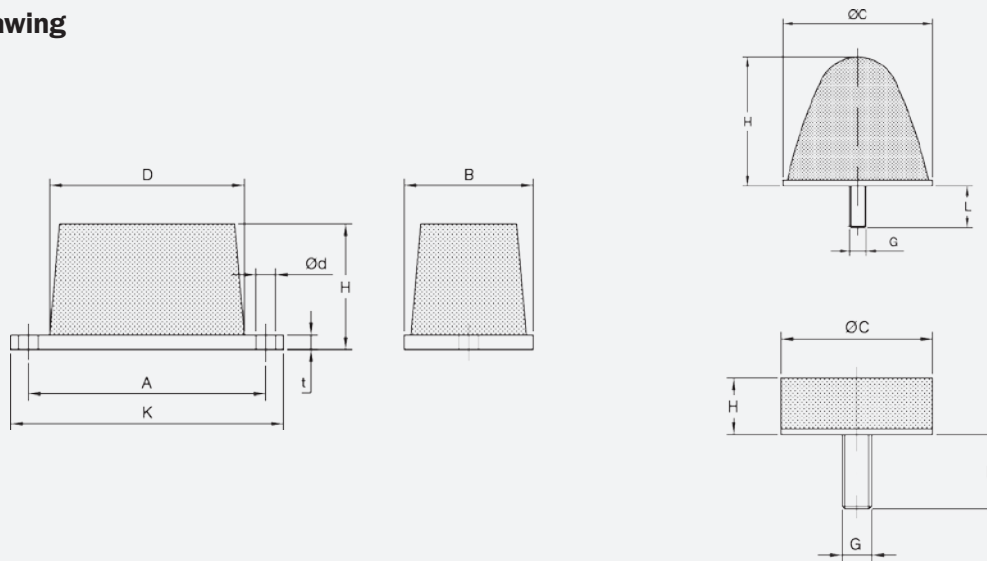
With three state-of-the-art manufacturing plants across the globe, our experience in rubber to metal bonding enhances several industries, including off-highway vehicles, rail and mass transit, marine and energy and general industry.

We offer an end-to-end service, to take you from concept through design, manufacturing and testing to delivery. This reduces the complexity of supply, helping you cut costs, mitigate risk and receive on time, on budget delivery.

Trelleborg IAVS is part of Trelleborg Group, which employs 15,000 people in over 40 countries. Whatever your challenge, whatever your role and wherever you are, we are nearby to offer expert knowledge and quality solutions.

# Buffer

## Technical Drawing



## Product Data

PART No.	TYPE	DIMENSIONS (mm)				MAX LOAD (kg)	MAX DEFLECTION (mm)	MAX BOLT TORQUE (mm)	WEIGHT (kg)
		C	H	G	L				
10-00341	CYLINDRICAL	21	19	M6	15	100	8	8.3	0.015
10-00342	CYLINDRICAL	32	20.6	M8	20	200	8	20	0.04
10-00337	CYLINDRICAL	50.8	19	M10	25	640	7	40	0.094
10-00340	CONICAL	28.6	37	M6	15	100	18	8.3	0.03
10-00339	CONICAL	38	38	M8	20	250	18	20	0.05
10-00334	CONICAL	48	51	M10	25	270	18	40	0.11
10-00338	CONICAL	70.3	46	M12	30	500	15	70	0.27
10-00336	CONICAL	108	93	M12	30	250	53	70	0.76
10-00335	CONICAL	108	119	M12	30	200	60	70	0.99

DRAWING No.	PART No.	TYPE	DIMENSIONS (mm)							MAX LOAD (kg)	MAX DEFLECTION (mm)	WEIGHT (kg)
			K	A	B	H	D	d	t			
15-0437	10-00322	RECTANGULAR	55	120.5	47.5	6	8.7	104.8	86	1750	24	0.48
15-0238	10-00315	RECTANGULAR	55	120.5	57	6	8.7	104.8	86	4600	23	0.55
15-0260	10-00317	RECTANGULAR	36.5	155.5	63.5	6	13.5	127	89	1000	10	0.54
19-0564	20-00417	RECTANGULAR	22	84	32	3	6.7	68.5	51	815	7	0.85



[WWW.TRELLEBORG.COM/ANTI-VIBRATION-SOLUTIONS](http://WWW.TRELLEBORG.COM/ANTI-VIBRATION-SOLUTIONS)

For further information visit our website or e-mail [industrialavs@trelleborg.com](mailto:industrialavs@trelleborg.com)

The content in this datasheet was correct at the time of printing, but is subject to change without notice.