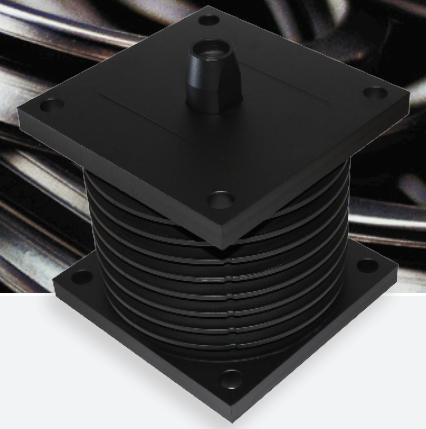




Axle Tower Spring



Axle Tower Spring

Each component is manufactured from high strength steel with high impact and wear characteristics and heavy-duty top and bottom plates to resist negative loading and provide safe anchor points.

There is also a built in fail-safe device to prevent damage in the case of severe tensile overload. These devices are also manufactured from the highest-grade steel to provide high tensile strength without compromising ductility.

Trelleborg IAVS axle suspension tower springs are designed to provide maintenance free flexible load bearing capabilities by allowing angular and shear movement whilst supporting high axial loads.

The latest Finite Element analysis technology has been applied to ensure maximum reliability and minimum stress points whilst maintaining an uncomplicated design to minimize manufacturing costs.

About Trelleborg Industrial AVS

Over 100 years of experience as Metalastik and Novibra, today Trelleborg Industrial AVS make improvements people can physically feel. From smoother travel to quieter, more efficient machines, we make life feel better. With quality, testing and compliance built in, we're in it for the long haul, ensuring your solution still works, over an extended and often arduous life-cycle.

With three state-of-the-art manufacturing plants across the globe, our experience in rubber to metal bonding enhances several industries, including off-highway vehicles, rail and mass transit, marine and energy and general industry.

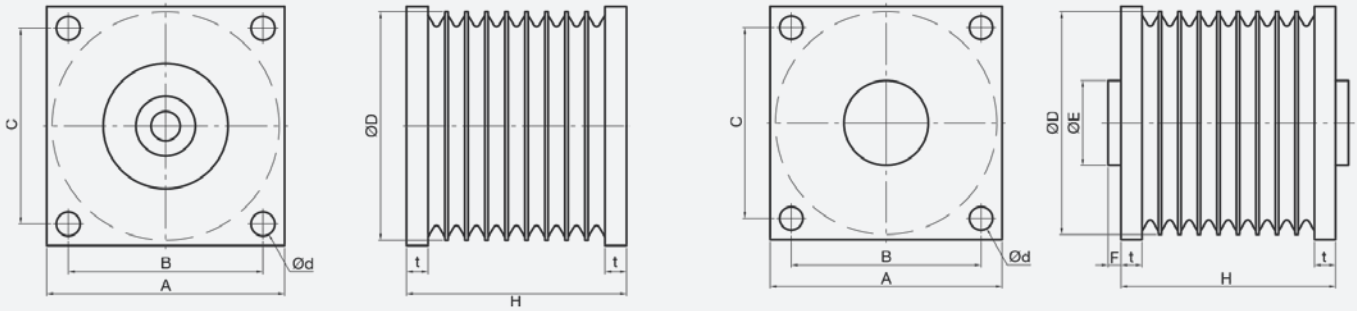
We offer an end-to-end service, to take you from concept through design, manufacturing and testing to delivery. This reduces the complexity of supply, helping you cut costs, mitigate risk and receive on time, on budget delivery.

Trelleborg IAVS is part of Trelleborg Group, which employs 15,000 people in over 40 countries. Whatever your challenge, whatever your role and wherever you are, we are nearby to offer expert knowledge and quality solutions.



Axle Tower Spring

Technical Drawing



Product Data

PART No.	DRAWING No.	DIMENSIONS (mm)									MAX LOAD (kN)	FAILSAFE SYSTEM	WEIGHT (kg)
		A	B	C	D	d	E	F	H	t			
10-03501	17-1831	170	140	140	165	14	55	18	150	9.5	55	CHAIN	9.5
10-00951	17-1832-1	190	150	160	184	16.5	80	25	185	10	70	CHAIN	15
10-01640	17-4729-01	190	150	160	180	17	-	-	180	15	150	BOLT	15.6
10-01641	17-4735-00	190	150	160	180	17	-	-	182	15	150	BOLT	16.4
10-01677	17-4736-00	220	180	180	210	22	-	-	203	20	400	BOLT	25



WWW.TRELLEBORG.COM/ANTI-VIBRATION-SOLUTIONS

For further information visit our website or e-mail industrialavs@trelleborg.com

The content in this datasheet was correct at the time of printing, but is subject to change without notice.