

Laminate Material Bulletin

Trelleborg Automotive *Your partner from start to finish*

Shear Plate

– a new method to reduce engine noise and vibrations

In applications where high performance and reliability is required.

Enables Design Success

- ▼ A tool to help design fuel efficient and cleaner burning engines without sacrificing NVH performance
- ▼ A new and innovative approach to reduce powertrain noise and vibrations

The Shear Plate concept

- ▼ “A revolution for engine noise reduction”
- ▼ Technology used in both diesel and gasoline engines
- ▼ Based on TRELLEBORG core competences
- ▼ High impact on Engine Sound Quality
- ▼ Overall Noise Reduction



*“Our objective is to continue
being the leader in engineered silence
in today’s and tomorrows automotive challenges”*

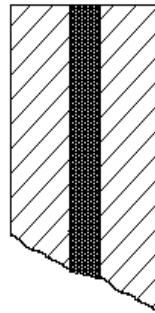
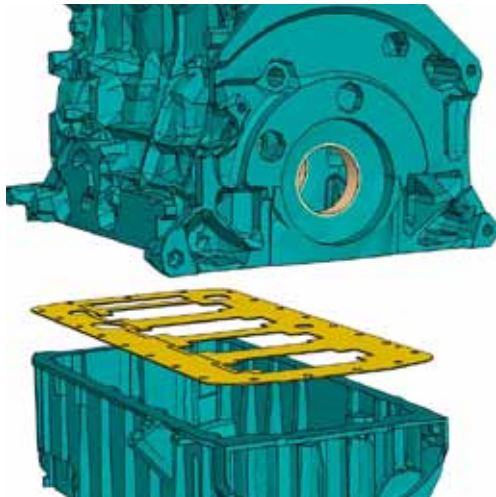
Laminate Material Bulletin

Trelleborg Automotive *Your partner from start to finish*

Shear Plate Damper

– a new method in reducing engine noise and vibrations

Material cross section Material layers, standard thickness



Carbon steel	1,00 mm
ACM	0,20 mm
Carbon steel	1,00 mm
Total thickness	2,20 mm
Aluminium	1,00 mm
Acrylic Rubber	0,40 mm
Aluminium	1,00 mm
Total thickness	2,40 mm

Europe

Germany

Trelleborg Automotive Kalmar AB
Kléberstrasse 2
D-40822 Mettman
Germany
Phone: +49 2104 217 261
Fax: +49 2104 217 229
kai.koppers@trelleborg.com

Italy

Trelleborg Automotive Kalmar AB
Via Sen. A. Toselli 3
12100 Cuneo
Italy
Phone: +39 0171 605 511
Fax: +39 0171 609 662
alessandro.baggi@trelleborg.com

France

Trelleborg Automotive Kalmar AB
38, Rue Jean Mermoz - BP 106
78602 Maisons-Laffitte Cedex
France
Phone: +33 1 30 86 72 56
Fax: +33 1 39 13 56 06
giuseppe.percio@trelleborg.com

United Kingdom

Trelleborg Automotive Kalmar AB
15, Alsfield Way, New Mills,
High Peak, Derbyshire
SK22 3DD, UK
Phone: +44 1663 742 113
malcolm.brew@trelleborg.com
malcolm.brew@dsl.pipex.com

Americas

USA

Trelleborg Automotive Northville Inc
15701 Centennial Drive
Northville, MI 48168
USA
Phone: +1 734 354 1250
Fax: +1 734 354 1251
john.bennett@trelleborg.com

South America

Trelleborg Automotive Northville Inc
Av. Betsaida, 176 Jd. Betania
18071-490, Sorocaba-SP
Brazil
Phone: +55 15 3223 3459
Mobile: +55 11 8212 0591
julio.sotratti@trelleborg.com

Australia

Trelleborg Automotive Melbourne Pty Ltd.
141 Osborne Street
South Yarra 3141, Melbourne
Australia
Phone: +61 3 9279 3956
Fax: +61 3 9866 7277
jarnestrom@trelleborg.com.au

Asia

China

Trelleborg Automotive Shanghai Holdings AB,
5118 Yuan Jiang Road
Xin Zhuang Industrial Park
Shanghai 201108
China
Phone: +86 21 6145 1830*237
Fax: +86 21 6145 1833
louis.gu@trelleborg.com

China

Trelleborg Automotive Shanghai Holdings AB
922 Room Shangri-La Hotel
569 Xian Road
Changchun 130061
China
Phone: +86 431 8859 7388
Fax: +86 431 8859 0800
yao.weidong@trelleborg.com

Japan

Trelleborg Japan KK
KDX Shin-Yokohama 381 Bldg.7F
3-8-11 Shin-Yokohama
Kohoku-ku Yokohama-shi
222-0033 Japan
Phone: +81 45 478 0732
Fax: +81 45 478 0736
yoshinori.sano@trelleborg.com

Korea

Trelleborg Automotive Korea
#1101, Inyoung Building,
44-11 Yeouido-dong,
Yeongdeungpo-gu,
Seoul, South Korea (150-890)
Phone: +82 31 386 3864
Fax: +82 31 386 3287
alex.kim@trelleborg.com

Trelleborg Automotive Kalmar AB

Box 860, S-391 28 Kalmar, Sweden. Street address: Franska vägen 18B.
Phone: +46 480 499 400. Telefax: +46 480 499 494.
Internet: www.trelleborg.com/rubore E-mail: rubore@trelleborg.com