

# Brake Noise Bulletin

**Trelleborg Rubore** *Your partner from start to finish*

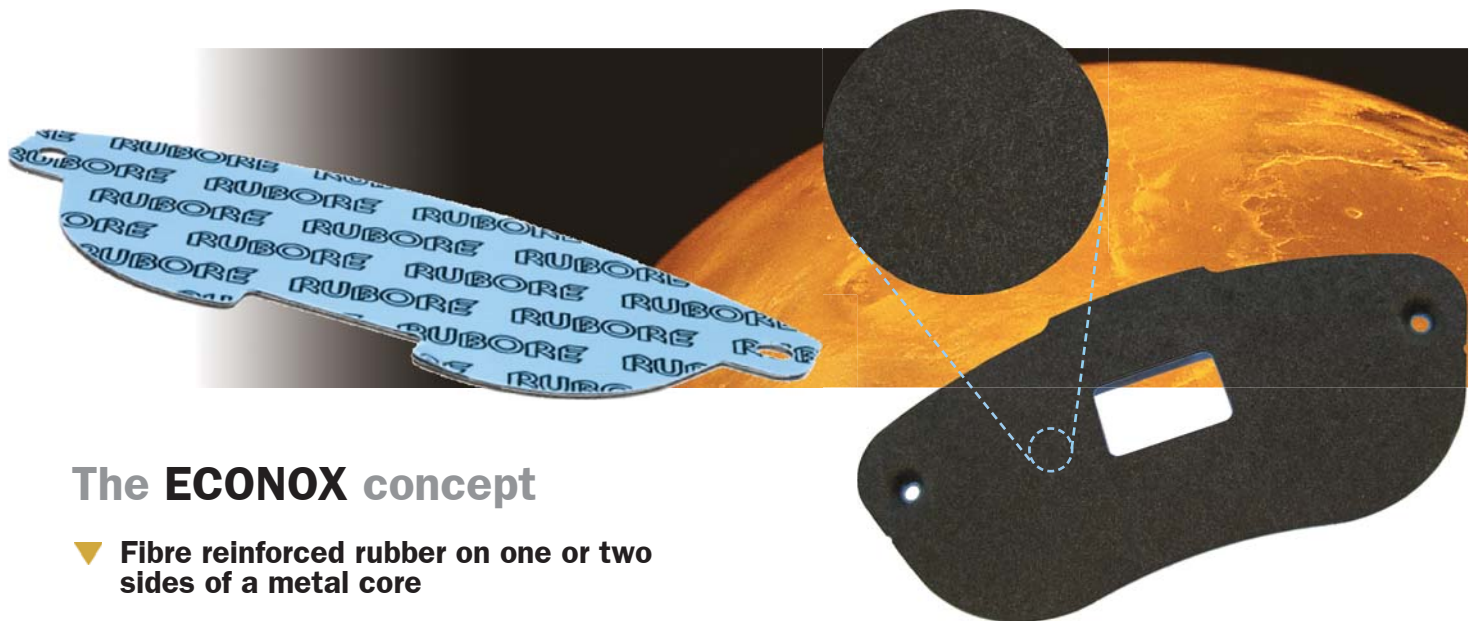
## **ECONOX** – a new fibre reinforced rubber shim material

**In brake applications where reliability and highest performance is required.**

As a result of cost reduction demands, Trelleborg Rubore now introduce a price competitive shim material alternative:

**ECONOX** - a new fibre reinforced rubber shim material. A superior NVH material with excellent resistance to wear and piston penetration in demanding brake applications.

A new shim material where price versus performance is of highest importance. Trelleborg Rubore can now offer a robust solution with excellent NVH performance with an economical cost structure.



## The **ECONOX** concept

- ▼ **Fibre reinforced rubber on one or two sides of a metal core**
- ▼ **Available with all various cold bond adhesive systems**
- ▼ **Superior durability & corrosion resistance**  
**Excellent resistance to piston penetration and wear**
- ▼ **Good to excellent temperature range**  
**A robust solution with excellent NVH performance**

Some call it economical inoxydable and ecological recyclable.

We call it **ECONOX**

### Trelleborg Rubore AB

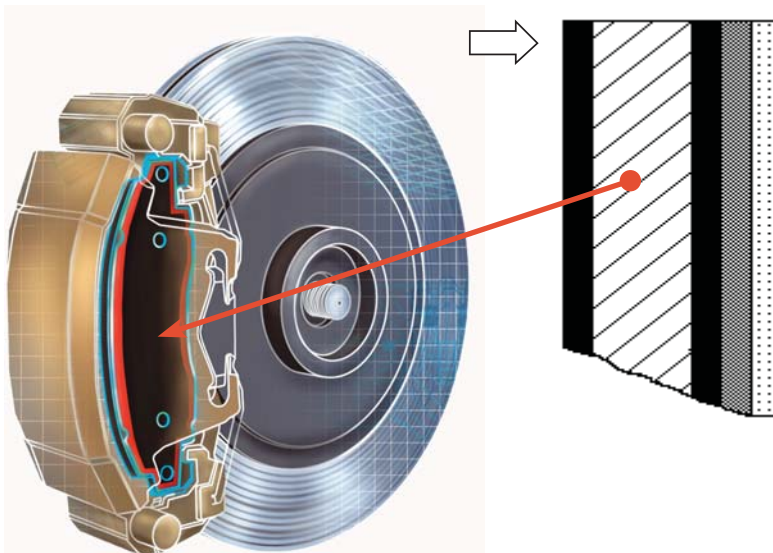
Box 860, S-391 28 Kalmar, Sweden. Street address: Franska vägen 18B.  
Phone: +46 480 499 400. Telefax: +46 480 499 494.  
Internet: [www.trelleborg.com/rubore](http://www.trelleborg.com/rubore)

# Brake Noise Bulletin

**Trelleborg Rubore** *Your partner from start to finish*

Pat. Pend.  
**ECONOX** – a new fibre reinforced rubber shim material

**Piston side Material cross section Material layers, standard thickness**



|                           |                 |
|---------------------------|-----------------|
| Fibre reinforced rubber   | 0,15 mm         |
| Carbon steel, 700 TS      | 0,40 mm         |
| Fibre reinforced rubber   | 0,15 mm         |
| Cold pressure adhesive, A | 0,075 mm        |
| <b>Total thickness</b>    | <b>0,775 mm</b> |
| Plastic protection        | 0,13 mm         |

*Mechanical fastening required  
A limited design feature is  
collars and bend leg*

**Trelleborg Rubore, UK**  
c/o Trelleborg Industrial AVS  
1 Hood Close, Leicester  
LE4 2BN, Great Britain  
Phone: +44 116 267 0339  
Fax: +44 116 267 0510

**Trelleborg Rubore Inc,  
South America**  
Av. Betsaida, 176 Jd. Betania  
18071-490, Sorocaba-SP  
Brazil  
Phone: +55 15 3223 3459  
Mobile: +55 15 9134 7191

**Trelleborg Rubore, Korea**  
Boram Trading Company  
#318, 14 Dong, Sihetung,  
Yutong Sangga 984,  
Siheung 3-dong, Geumcheon-gu  
Seoul, Korea  
Phone: +82 2896 3462  
Fax: +82 2806 5250

**Trelleborg Automotive, France**  
Rue du Tertre BP 419  
FR-44474 Carquefou Cedex  
France  
Phone: +33 240 686 315  
Fax: +33 240 686 441

**Trelleborg Rubore Inc, USA**  
1856 Corporate Drive  
Suite 135  
Norcross, GA 30093-2925  
USA  
Phone: +1 770 729 8030  
Fax: +1 770 729 1820

**Trelleborg Rubore K.K, Japan**  
4-4-8 Nakato  
Musaashimurayama-shi  
Tokyo 208-0001, Japan  
Phone: +81 42 590 5178  
Fax: +81 42 590 5178

**Trelleborg Rubore, Germany**  
Kléberstrasse 2  
D-40822 Mettmann  
Germany  
Phone: +49 2104 217 261  
Fax: +49 2104 217 229

**Trelleborg Rubore Inc, USA**  
445 Enterprise Court  
Bloomfield Hills,  
MI 48302-0307  
USA  
Phone: +1 248 631 0100  
Fax: +1 248 631 0198

**Trelleborg Rubore, China**  
818 Room Shangri-La Hotel  
569 Xian Road  
Changchun 130061  
China  
Phone: +86 431 8597 388  
Fax: +86 431 8590 800

**Trelleborg Rubore, Italy**  
Via Roma 53  
12100 Cuneo  
Italy  
Phone: +39 0171 605 511  
Fax: +39 0171 609 662

**Trelleborg Rubore, Australia**  
141 Osborne Street  
South Yarra 3141  
Melbourne  
Australia  
Phone: +61 3 9279 3956  
Fax: +61 3 9866 7277

**Trelleborg Rubore, China**  
Shanghai Caohejing Hi-Tech Park  
Suite A1105, 900 Yishan Road  
Shanghai 200233  
China  
Phone: +86 21 5423 5999\*104  
Fax: +86 21 5423 4380

**Trelleborg Rubore AB**

Box 860, S-391 28 Kalmar, Sweden. Street address: Franska vägen 18B.  
Phone: +46 480 499 400. Telefax: +46 480 499 494.  
Internet: [www.trelleborg.com/rubore](http://www.trelleborg.com/rubore)