



TrellTent[®] 1/2 DS

Shower tent for personal decontamination



The shower equipment comprises two shower pipes, six shower nozzles and a hand shower.



Hoses for fresh water and waste water are connected directly to the tent, giving a closed system.

TrellTent® 1/2 DS for personal decontamination after chemical accidents

Anywhere

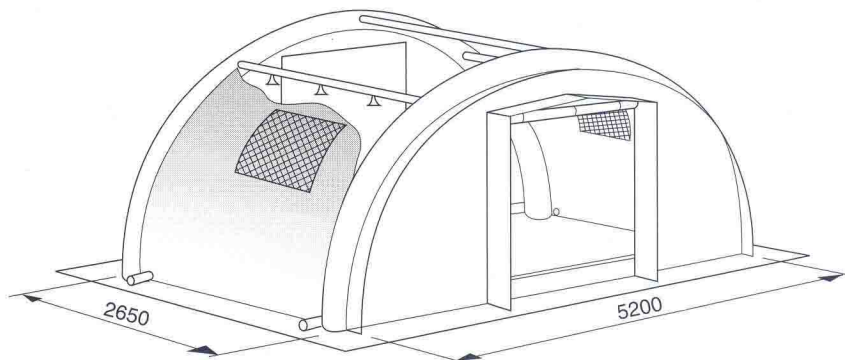
Our new shower and decontamination tent is a free-standing unit supported by inflated arches. It is a closed system with connections for both fresh water and waste water mounted to the tent. With this design, environment-friendly decontamination can be achieved no matter where you are.

One or two shower rooms

TrellTent® 1/2 DS is delivered complete with a shower system comprising three shower nozzles on each side and a hand shower. The shower room is big enough to admit an injured person on a stretcher, and it can be divided with a curtain if two separate sections are required.

Flexible

With TrellTent® 1/2 DS it is possible to create a system for decontamination, changing room, medical care, recreation, etc. This can be achieved by connecting the shower tent to our standard tents and thus creating the desired rooms. At the same time, the shower tent can equally well be used as a free-standing unit.



Complete equipment

Apart from our usual accessories to the tent, we offer a complete range of equipment comprising water containers, water heaters, pumps, containers for waste water, heating and lighting.

Accessories

Guys	069 350 200
Tent pegs	075 000 600
Bag for tent pegs	483 021 002
High-pressure fan	483 300 002
Foot pump	483 119 002

FACT BOX TrellTent® 1/2 DS

Material:	PVC-coated fabric
Colours:	Yellow, orange, green
Dimensions:	5.2 x 2.65 m, 13.8 m ²
Height:	2.6 m
Dimensions when packed:	1.0 x 0.8 x 0.6 m
Weight:	90 kg



Trelleborg Protective Products AB, Box 1520, SE-271 00 Ystad, Sweden
Tel: +46 411 679 40. Fax: +46 411 152 85
E-mail: protective@trelleborg.com Internet: www.trelleborg.com/protective

Local distributor: