



Features/Applications

Collaborative expertise has created a range of Metalastik® Air Spring systems which meet the stringent requirements of modern rail technology, particularly combining large horizontal displacements and low frequency ride characteristics for both normal and emergency conditions.

The potential of progressive force/displacement characteristics enable a stable vehicle performance to be achieved.

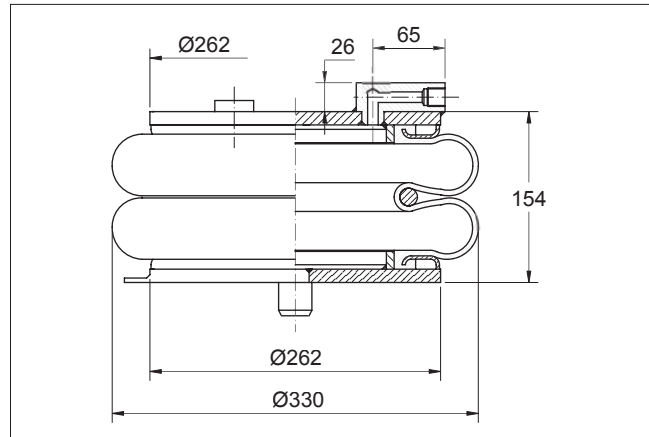
The ability to accommodate high horizontal, torsional, and conical displacements make these Air Spring Systems ideal solutions on bolsterless bogie designs. They can of course be adapted to suit bolster arrangements.

The inclusion of an air reservoir can simplify the total system integration of the vehicle.

Benefits

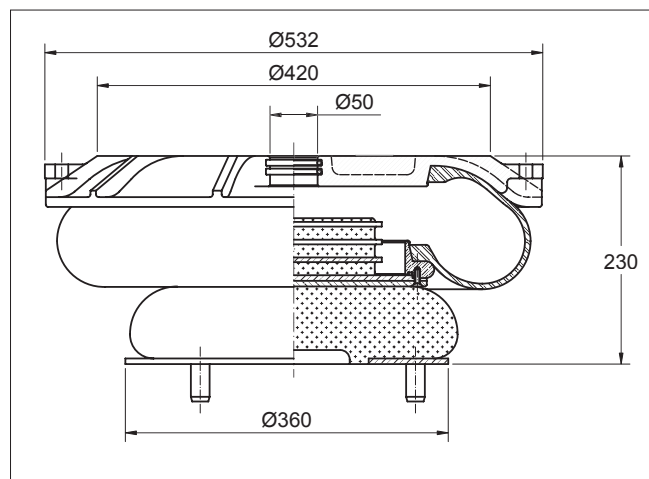
- Satisfy stringent requirements for modern Rail technology
- Progressive force/displacement characteristics (if required)
- Large horizontal and angular displacement capability
- Low ride-frequency in emergency situations
- Ideal for all types of bogie designs
- Integral reservoir (if required)

Air Spring Systems

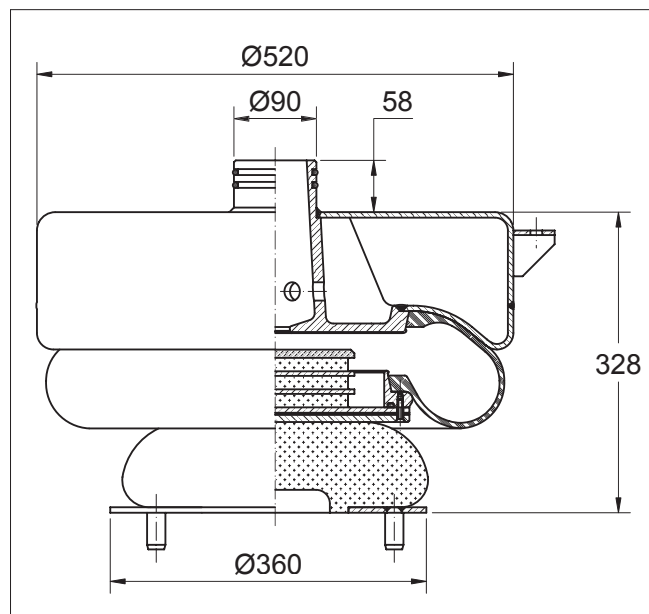


Typical Systems

Air Spring Assembly	45/1004
Vertical Load Capacity	46 kN
Vertical Frequency	< 1.55 Hz
(Airspring System plus 25 litre added volume)	
Maximum Horizontal Displacement	± 10 mm
Working Height	154 mm
Air Pressure (at maximum load)	8.0 bar
Air-bag Ref.	46/1004 G

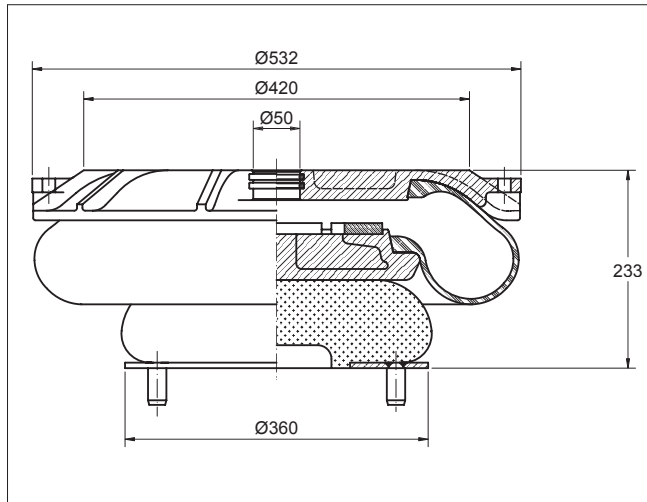


Air Spring Assembly	45/1022
Vertical Load Capacity	78 kN
Vertical Frequency	<1.3 Hz
(Airspring System plus 25 litre added volume)	
Maximum Horizontal Displacement	± 110 mm
Working Height	230 mm
Air Pressure (at maximum load)	6.1 bar
Air-bag Ref.	46/1010 E
Series Spring Ref.	17/1022
Internal Emergency Spring	15/3613



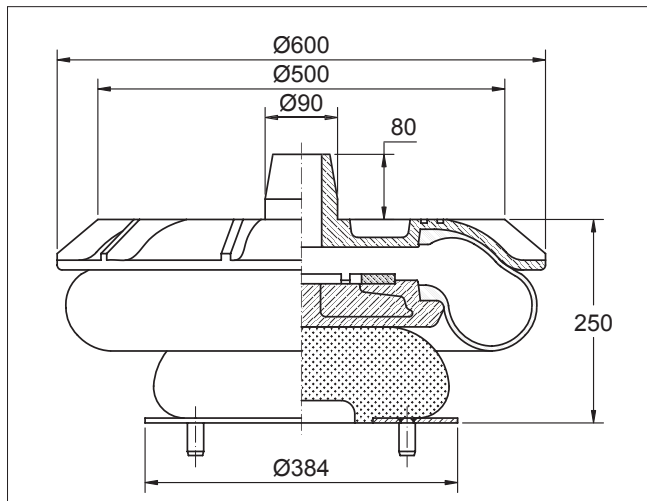
Air Spring Assembly	45/1010
Vertical Load Capacity	83 kN
Vertical Frequency	<1.3 Hz
(Airspring System plus 0 litre added volume)	
Maximum Horizontal Displacement	± 105 mm
Working Height	328 mm
Air Pressure (at maximum load)	6.2 bar
Air-bag Ref.	46/1010 E
Series Spring Ref.	17/1908
Internal Emergency Spring	15/3613

Air Spring Systems

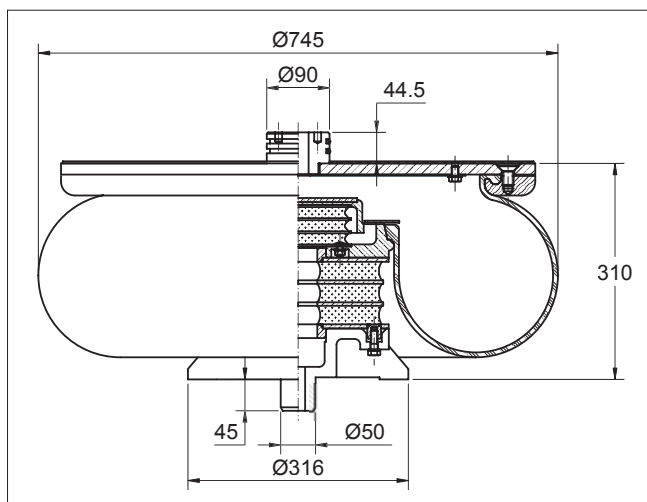


Typical Systems

Air Spring Assembly	45/1006
Vertical Load Capacity	100 kN
Vertical Frequency	<1.3 Hz
(Airspring System plus 25 litre added volume)	
Maximum Horizontal Displacement	± 80 mm
Working Height	233 mm
Air Pressure (at maximum load)	6.9 bar
Air-bag Ref.	LM9186 A
Series Spring Ref.	17/1852

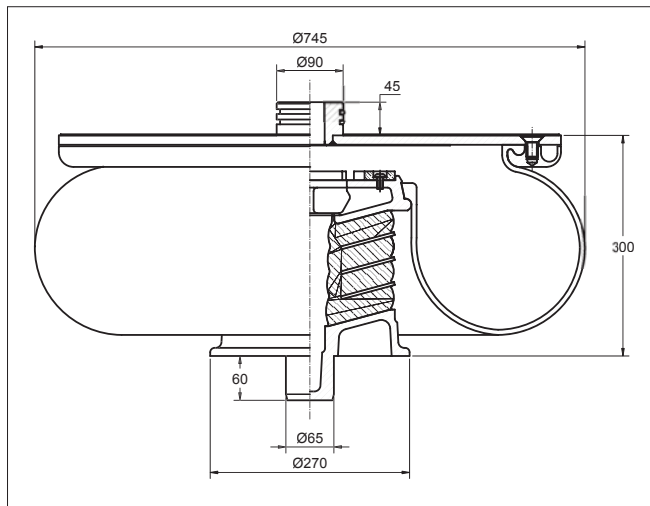


Air Spring Assembly	45/1039
Vertical Load Capacity	105 kN
Vertical Frequency	<1.5 Hz
(Airspring System plus 20 litre added volume)	
Maximum Horizontal Displacement	± 120 mm
Working Height	250 mm
Air Pressure (at maximum load)	6.0 bar
Air-bag Ref.	LM9263 A
Series Spring Ref.	LM9373



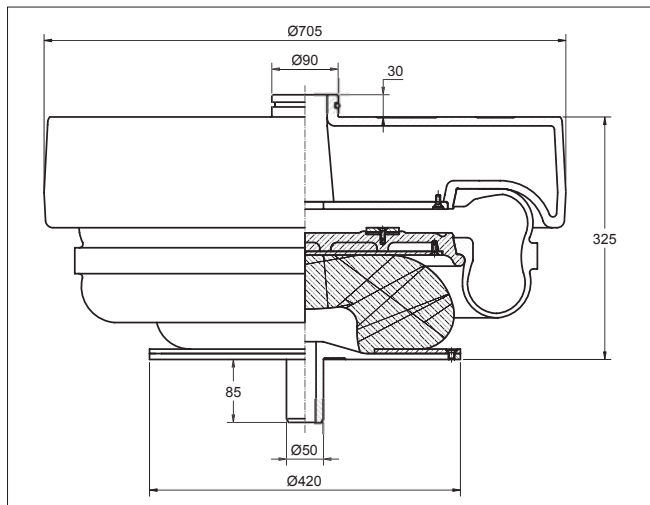
Air Spring Assembly	45/1040
Vertical Load Capacity	110 kN
Vertical Frequency	<1.0 Hz
(Airspring System plus 40 litre added volume)	
Maximum Horizontal Displacement	± 120 mm
Working Height	310 mm
Air Pressure (at maximum load)	5.2 bar
Air-bag Ref.	LM9086 A
Series Spring Ref.	17/1845
Internal Emergency Spring	17/1700

Air Spring Systems

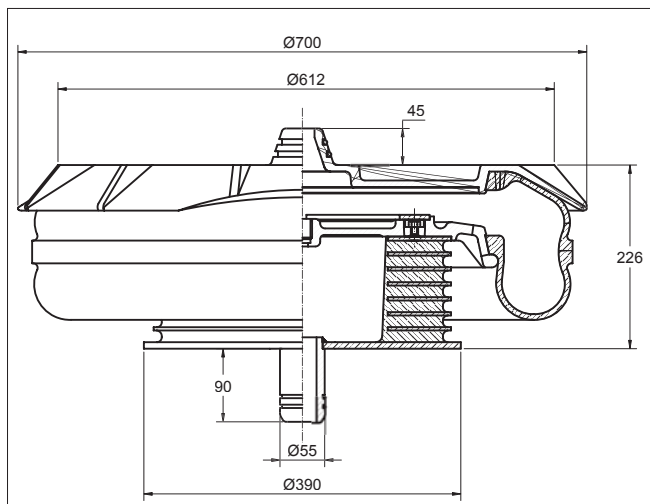


Typical Systems

Air Spring Assembly	45/1007
Vertical Load Capacity	114 kN
Vertical Frequency	<1.0 Hz
(Airspring System plus 40 litre added volume)	
Maximum Horizontal Displacement	± 120 mm
Working Height	300 mm
Air Pressure (at maximum load)	5.3 bar
Air-bag Ref.	LM9086 A
Series Spring Ref.	LM9137

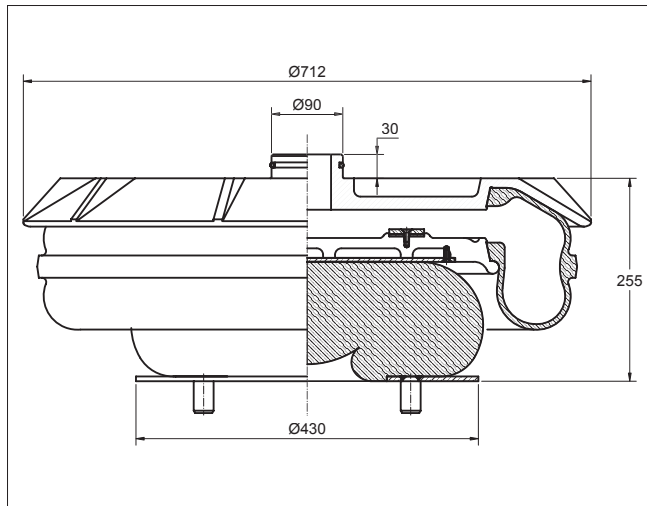


Air Spring Assembly	45/1001
Vertical Load Capacity	122 kN
Vertical Frequency	<1.0 Hz
(Airspring System plus 70 litre added volume)	
Maximum Horizontal Displacement	± 110 mm
Working Height	325 mm
Air Pressure (at maximum load)	5.4 bar
Air-bag Ref.	61/0067
Series Spring Ref.	17/1818



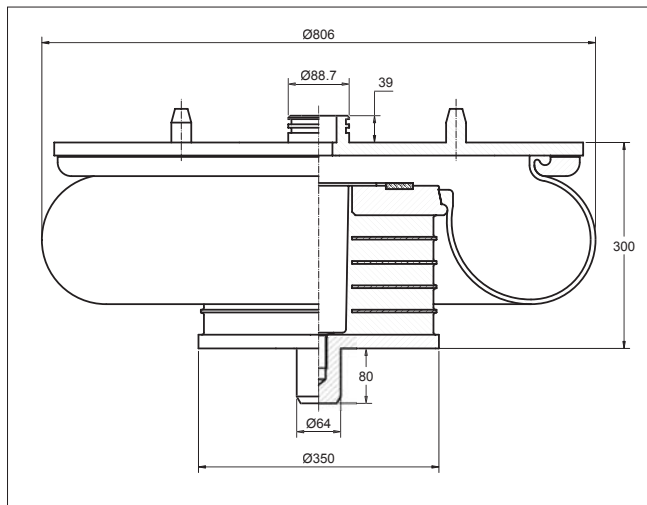
Air Spring Assembly	45/1003
Vertical Load Capacity	130 kN
Vertical Frequency	<1.2 Hz
(Airspring System plus 45 litre added volume)	
Maximum Horizontal Displacement	± 105 mm
Working Height	226 mm
Air Pressure (at maximum load)	5.2 bar
Air-bag Ref.	61/0070
Series Spring Ref.	17/1835

Air Spring Systems

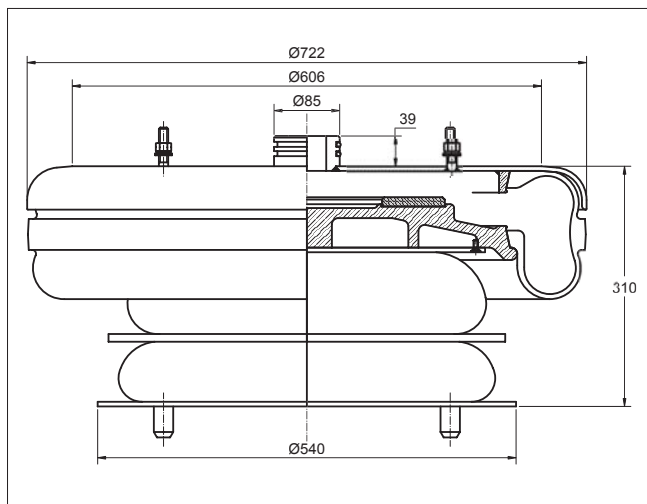


Typical Systems

Air Spring Assembly	45/1015
Vertical Load Capacity	130 kN
Vertical Frequency	<1.0 Hz
(Airspring System plus 70 litre added volume)	
Maximum Horizontal Displacement	± 125 mm
Working Height	255 mm
Air Pressure (at maximum load)	5.2 bar
Air-bag Ref.	LM9076 A
Series Spring Ref.	17/1962



Air Spring Assembly	45/1029
Vertical Load Capacity	158 kN
Vertical Frequency	<1.4 Hz
(Airspring System with no added volume)	
Maximum Horizontal Displacement	± 120 mm
Working Height	300 mm
Air Pressure (at maximum load)	5.2 bar
Air-bag Ref.	46/1024 D
Series Spring Ref.	17/2095/1



Air Spring Assembly	LM9338
Vertical Load Capacity	180 kN
Vertical Frequency	<1.1 Hz
(Airspring System plus 80 litre added volume)	
Maximum Horizontal Displacement	± 120 mm
Working Height	310 mm
Air Pressure (at maximum load)	5.9 bar
Air-bag Ref.	LM9338 A
Series Spring Ref.	LM8339



Trelleborg Industrial AVS, 1 Hoods Close, Leicester LE4 2BN, UK. Tel: +44 116 267 0300. Fax: +44 116 267 0301.
www.metalastik.com