



TRELLEXTREME™ type MDS

The MDS mounting is designed to take high dynamic shock loads but to limit mount movements in all directions, MDS=Multi Directional Snubbing.

In the static working load range, the MDS mounts have linear stiffness characteristics allowing easy prediction of mount deflection and isolation performance. (see fig. 1)

- Typical applications: Engines and small cabs on off-highway vehicles.

Features

The MDS mounting is easy to install based on a 2 part single bolt installation. There is no requirement for radius or chamfered installation hole and a steel flange prevents rubber wear at the bracket interface. The bonded steel snubbing cup limits vertical movements and prevents excessive strain in rubber. The cup is encapsulated in rubber to prevent corrosion.

A rubber rim holds the lower mount half in the hole during assembly.

- Vertical dynamic snubbing +/- 6 mm.
- Horizontal dynamic snubbing +/- 3 mm.
- Static vertical load range 70-200 kg.
- Deflection at max static load 2.5 mm.
- Axial to radial stiffness ratio 1.5:1.

TYPICAL STATIC AXIAL (VERTICAL) STIFFNESS MDS 80/3820
(Assembled in pairs, with upper and lower washers 19-20 mm thick plate, 38 mm dia. hole)

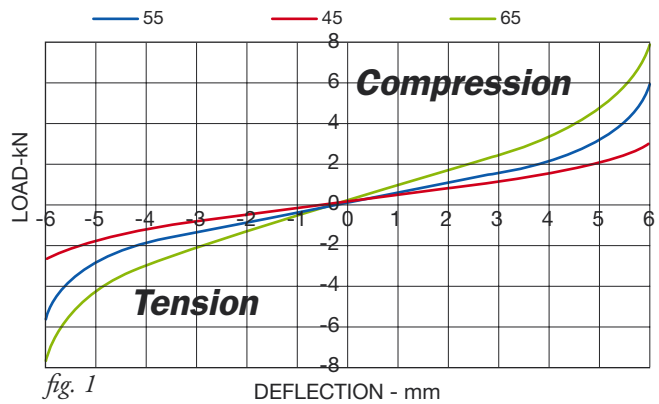
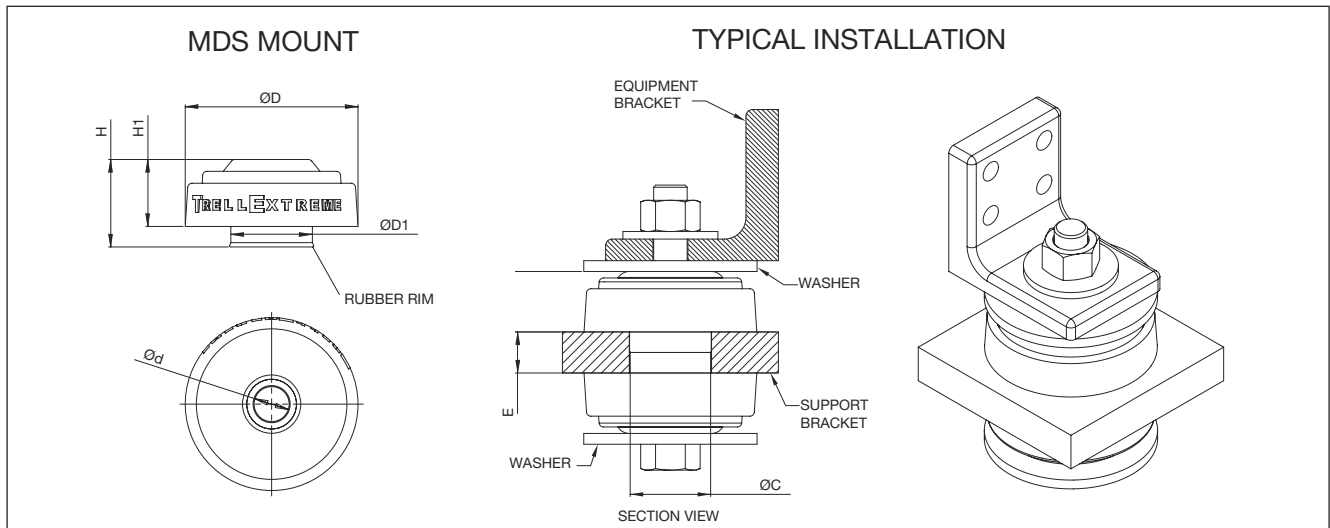


fig. 1



More product and model information are available upon request.

See below table showing our principal sizes and models. Part listed are a selection of a wider range, details of which are available on request. Please contact our Off Highway Applications department for further advise.

Type	Dimension (mm)							Bolt Size	Max. Bolt Torque Nm	Max. Load kg
	d	D	D1	H	H1	C	E			
MDS 80/3820-45	16,2	80	37,8	40,5	31	38	19/20	M16	240	90
MDS 80/3820-55	16,2	80	37,8	40,5	31	38	19/20	M16	240	140
MDS 80/3820-65	16,2	80	37,8	40,5	31	38	19/20	M16	240	200
MDS 66/4020-45	18,8	66	39,8	38	28,5	40	19/20	M16	240	70
MDS 66/4020-55	18,8	66	39,8	38	28,5	40	19/20	M16	240	120
MDS 66/4020-65	18,8	66	39,8	38	28,5	40	19/20	M16	240	170