



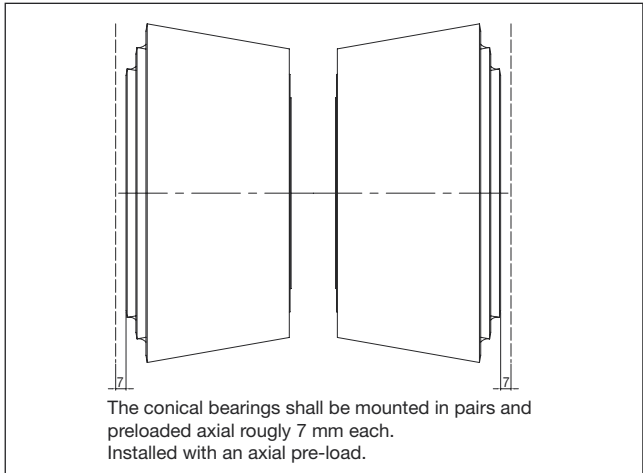
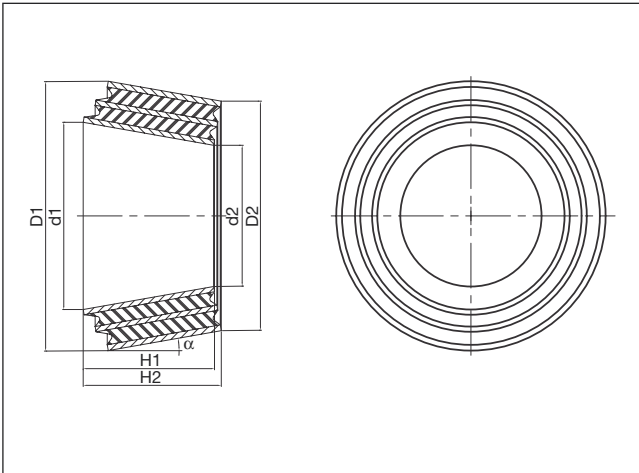
Each bush comprises of a high tolerance conical metals with high quality natural rubber compounds featuring low creep and high tear and tensile properties. This provides for high fatigue resistance at high loads and movements. They provide good shock attenuation whilst providing good control in the radial and axial directions.

Features

Conical bearings are used usually in pairs to transfer radial & axial loads but allowing large torsional movement and some conical. These are therefore suitable in applications where controlled flexibility is required such as in large travel suspension systems.

The high accuracy components provide

- High fatigue life
- Wide radial load range
- High torsional movement



Part no.	Dimension (mm)					
	D1	d1	D2	d2	H2	α
10-01401-01	215,5	149	194,5	120,5	80	9

Trelleborg Industrial AVS operates a policy of continuous improvement and development. We reserve the right to change design and specification of our products without prior notification or alteration of literature. We will not be held responsible for any danger or damage incurred through improper use or installation.