



Features

Type HA is a height adjuster made in corrosion protected grade 8 steel. The steel is zinc plated and chromated according to DIN 50691/ISO 2081. The height adjuster is supplied complete with washer and nut for fastening to the mounting and two nuts and a lock washer for the engine foot fastening. The HA height adjustment facilitates precise coupling alignment for engine installations and boat building tolerances.

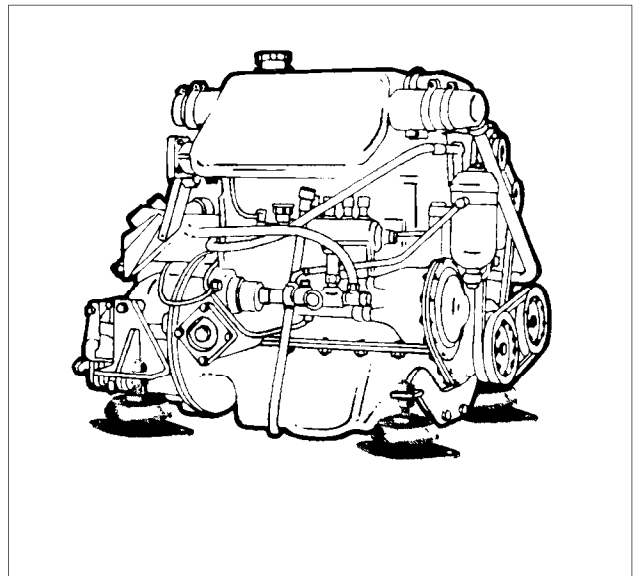
Note: For all applications with Thrust loads HAD type height adjusters must be used

Trelleborg Industrial AVS - Height Adjusters

Type HA is available in various sizes to suit the small and medium range of Trelleborg Industrial AVS mountings, as listed in the table below. It allows mountings to be retrofitted to existing installations where original spares are unobtainable.

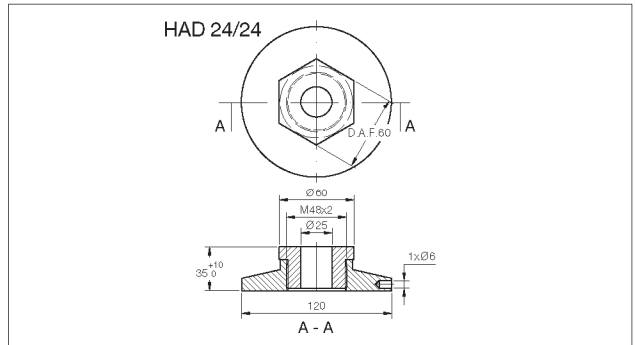
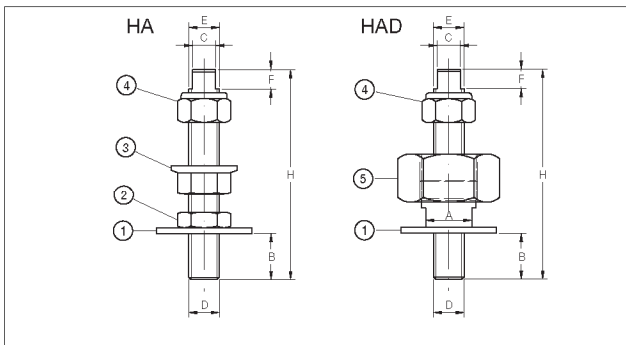
Notes:

- For optimum solutions where close coupling tolerances are required, allow the mountings to settle for 48 hours before final alignment of the engine installation.
- For securing the bolt into the mounting, it is recommended Loctite be applied.



Height Adjusters can be used together with

HAD 12/16	Cushyfloat 17-1600, SIM 100
HA 16/20	Cushyfloat 17-1609, SIM 200
HA 20/20	Cushyfloat 17/1657, SIM 300
HAD 20/20	HT Cushyfloat, 17-1990, 17-2182
HAD 24/24	Cushyfloat 17-1841



All dimensions in mm

Type	Part No.	Dimensions							1	2	3	4	5
		H	D	E	A	B	C	F					
HA 16/20	319830	130	M16	M20		24	D.A.F. 12	10	56x20x4	M20	M20	M20	
HA 20/20	319840	135	M20	M20		30	D.A.F. 12	10	60x21x4	M20	M20	M20	
HAD 12/16	319850	105	M12	M16	D.A.F. 24	20	D.A.F. 12	10	44x15x3			M16	M30x1.5
HAD 20/20	319880	135	M20	M20	D.A.F. 27	30	D.A.F. 12	10	60x21x4			M20	M36x2
HAD 24/24	319890				See drawing								

Trelleborg Industrial AVS operates a policy of continuous improvement and development. We reserve the right to change design and specification of our products without prior notification or alteration of literature. We will not be held responsible for any danger or damage incurred through improper use or installation.