

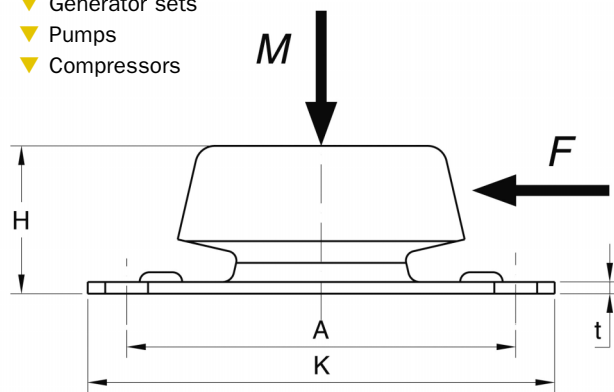
SIM™



Novibra® type SIM™

Type SIM™ is used for vibration isolation of small to medium sized machines:

- ▼ Marine, industrial and vehicle engines
- ▼ Generator sets
- ▼ Pumps
- ▼ Compressors



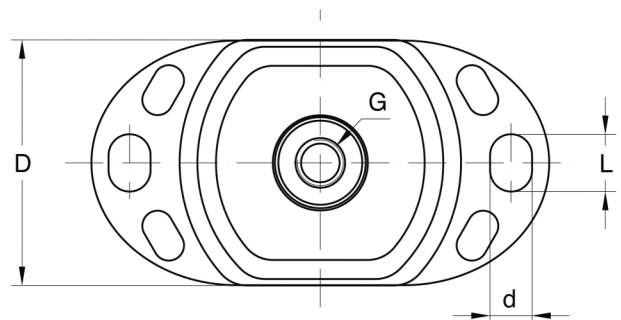
Features

SIM™ is a mounting for mobile applications. The strong metal parts and the soft vertical stiffness combined with high stiffness in the longitudinal direction makes it suitable for suspension of marine engines both with and without thrust loads.

Its unique construction and the latest production methods make Novibra® type SIM™ a high performance mounting having a number of advantages.

- ▼ Low vertical natural frequency 8-9 Hz combined with high longitudinal stiffness, ratio approx $k_l/k_v=3.5-5.5$.
- ▼ Special designed stronger bottom plate and top cover to withstand high shock loads from tough mobile applications.
- ▼ Load range from 50-580 kg.
- ▼ Fitted as standard with a shock proof device (up to 5g) with resilient stop.
- ▼ Corrosion protected with treatment Fe/Zn8Casper/ISO 2081 to cope with arduous environments.
- ▼ SIM™ is available with two types of height adjusters, one standard type HA and one special for higher load requirements.
- ▼ Clear and durable product marking. Mountings can be identified after several years in operation.
- ▼ Domed shape top cover to protect against oil contamination.

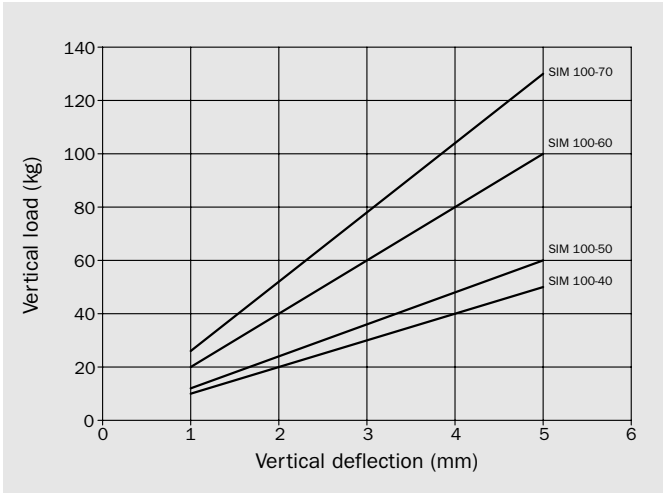
Protected & registered design



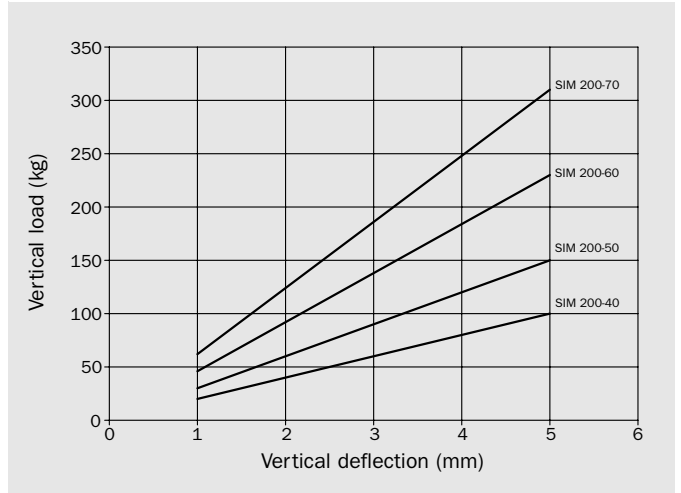
Type		Product No.	Max Longitudinal		Dimensions in mm								Weight (kg)	
			Max load M (kg)	force F (N)	D	A	K	H	d	L	t	G		
SIM 100-40	(40° IRH)	318100	50	750										
SIM 100-50	(50° IRH)	318130	60	1000	64	100	120	38	11	15	3	M12	0.35	
SIM 100-60	(60° IRH)	318110	100	1400										
SIM 100-70	(70° IRH)	318120	130	2000										
SIM 200-40	(40° IRH)	318140	100	2000										
SIM 200-50	(50° IRH)	318170	150	3000	75	140	175	50	13	20	4	M16	0.75	
SIM 200-60	(60° IRH)	318150	230	4500										
SIM 200-70	(70° IRH)	318160	310	6000										
SIM 300-40	(40° IRH)	318180	220	5000										
SIM 300-50	(50° IRH)	318210	300	6500	112	182	216	70	18	26	5	M20	2.03	
SIM 300-60	(60° IRH)	318190	460	9000										
SIM 300-70	(70° IRH)	318200	580	12000										



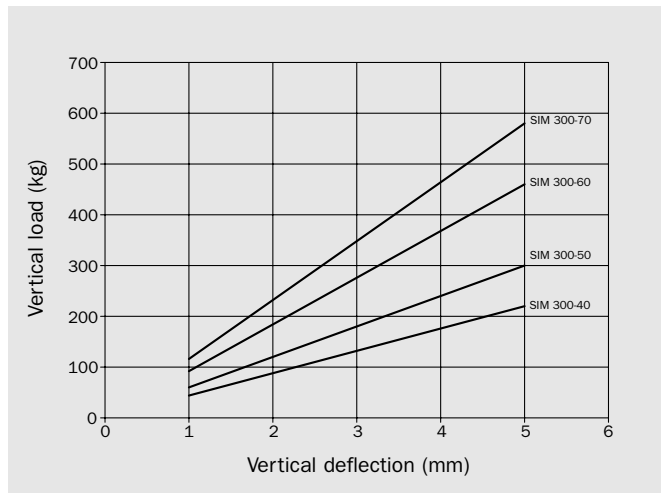
SIM 100 mountings Vertical load-deflection



SIM 200 mountings Vertical load-deflection



SIM 300 mountings Vertical load-deflection



Trelleborg Industrial AVS, 1 Hoods Close, Leicester LE4 2BN UK. ▼ Tel: +44 (0) 116 267 0300 ▼ Fax: +44 (0) 116 267 0301 ▼ www.trelleborg.com/industriav



Trelleborg Industrial AVS operates a policy of continuous improvement and development. We reserve the right to change design and specification of our products without prior notification or alteration of literature. We will not be held responsible for any danger or damage incurred through improper use or installation.