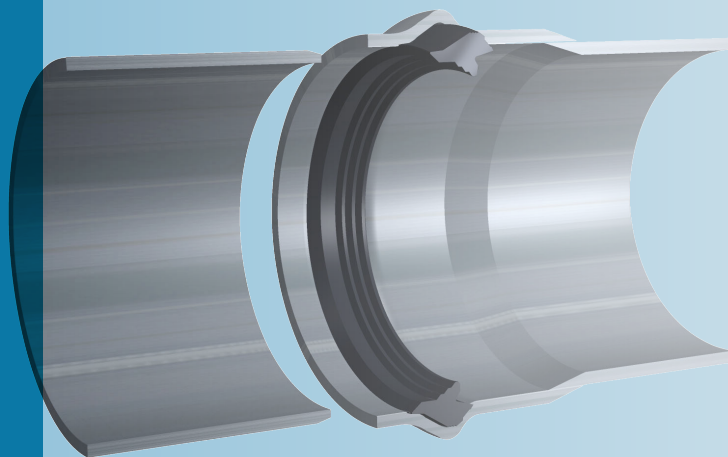


Forsheda 575

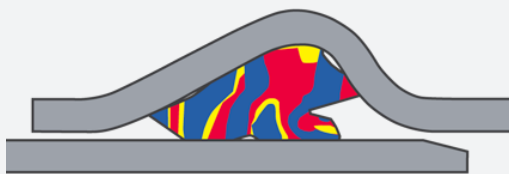
A rubber seal for plastic pressure pipes and waste water conduit in ground



SEAL DESIGN AND FUNCTION

The Forsheda 575 seal is a combined lip and compression seal. The seal is positioned in the socket by the pipe manufacturer. The "main lip" comprises a combined lip and compression section. The "front and rear lip" locates the seal in the socket groove and absorbs any permissible variations in the groove.

SEAL PERFORMANCE



The Forsheda 575 seal meets or exceeds current European standards for both pressure and vacuum, deflection and shear load. Furthermore the seal design gives low assembly forces making pipe jointing easier.

Test reports are available from Trelleborg Pipe Seals Lelystad BV on request.

MATERIAL

Synthetic rubber

Hardness 60±5 IRHD

Approved in accordance with EN 681-1

Ozone resistant

Detailed material specification is available from Trelleborg Pipe Seals Lelystad bv on request.

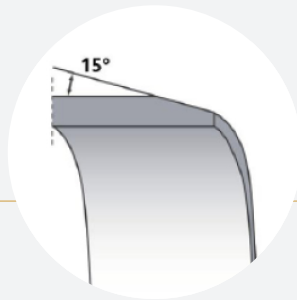
QUALITY ASSURANCE

SS-EN ISO 9001:2000

BSI (Kitemark)

JOINT ASSEMBLY

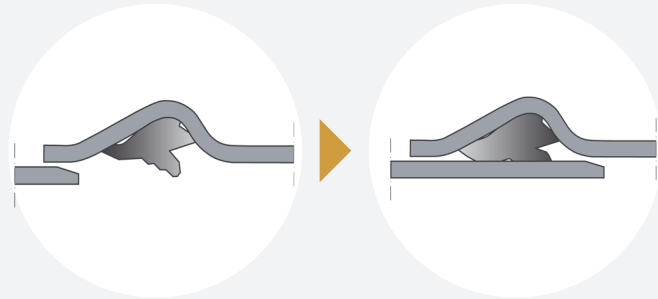
Chamfer the spigot end



Clean the socket

Apply lubricant on the spigot before assembly

Slide the spigot into the socket, thus compressing the sealing lip.



Pipes with F-575 shall always be laid in accordance with applicable standards and regulations.

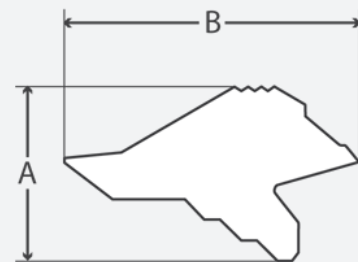
Please contact Trelleborg Forsheda Pipe Seals for technical advice and joint design recommendations to meet your performance requirements.

SEAL MARKING AND BOX LABELS

Each seal is marked with seal dimension and period of manufacture. The box is labelled with corresponding data.

EXAMPLES OF SIZES (MM)

| DIMENSIONS, MM | | |
|----------------|------|------|
| PIPE SIZE, MM | A | B |
| 63 | 10,4 | 17,7 |
| 75 | 11,6 | 19,6 |
| 90 | 12,7 | 21,5 |
| 110 | 13,8 | 23,4 |
| 125 | 13,8 | 23,4 |
| 140 | 14,8 | 25,1 |
| 160 | 15,9 | 27,0 |
| 200 | 16,9 | 30,6 |
| 225 | 18,0 | 33,8 |
| 250 | 19,9 | 36,0 |
| 280 | 21,2 | 36,0 |
| 315 | 22,2 | 37,7 |
| 400 | 28,0 | 44,8 |
| 500 | 32,2 | 51,5 |



Examples of authorities Trelleborg Pipe Seals cooperates with:



WWW.TRELLEBORG.COM/PIPE-SEALS