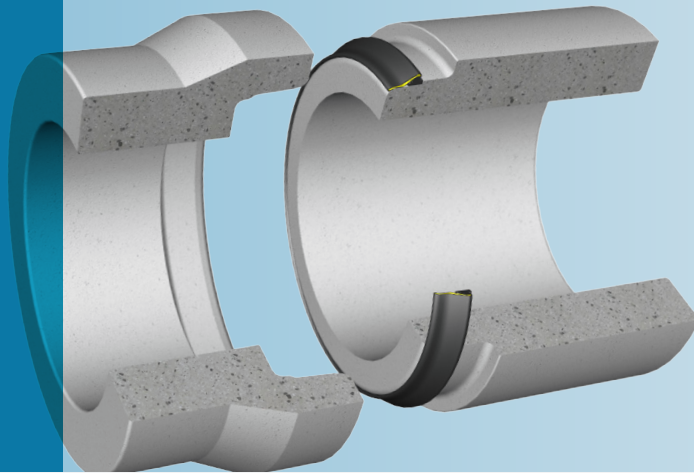


Forsheda 146

Pre-lubricated seal
for concrete pipe and
manhole systems

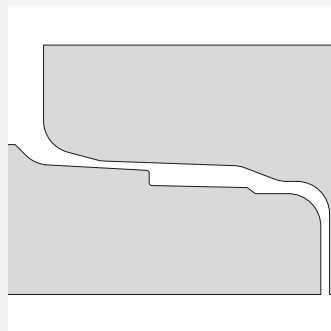


SEAL DESIGN AND FUNCTION

Forsheda 146 is a pre-lubricated sliding seal that is stretched onto the spigot of the pipe or manhole. Additional lubricant is not required for joint assembly.

The joint design is standard in many countries.

The seal is easy and clean to handle as the lubricant is enclosed in the sliding mantle. This allows installation with very little force as there is no friction between the rubber and concrete.

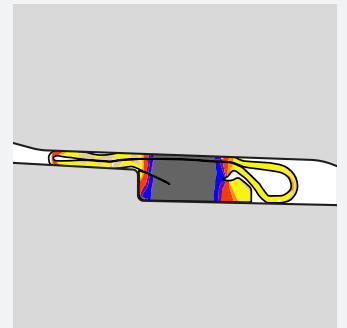


The joint is designed so that the pre-lubricated mantle rolls on to the top of the spigot shoulder and into the small gap between spigot and socket during installation.

This prevents concrete to concrete contact and gives efficient distribution of transverse shear loads across the joint. The design optimises joint performance and provides an exceptionally high level of operational reliability.

SEAL PERFORMANCE

Forsheda 146 meets all relevant current European standards. Joint performance is dependent on dimensional accuracy and surface finish of socket and spigot.



Test reports are available from Trelleborg Pipe Seals on request.

MATERIAL

Synthetic SBR or EPDM rubber

Hardness 40±5 IRHD

Approved in accordance with EN 681-1

Protected against ozone

QUALITY ASSURANCE

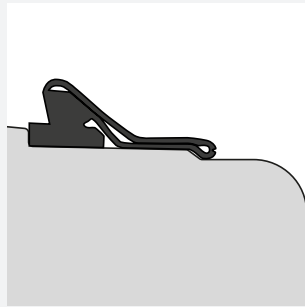
ISO 9001

British Standard "Kitemark"

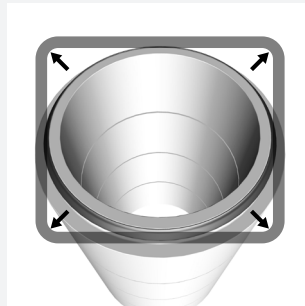
CE-marking

JOINT ASSEMBLY

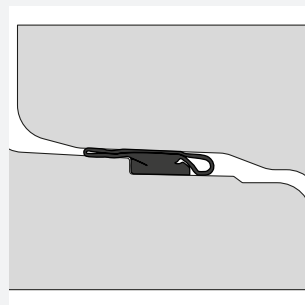
Stretch the seal onto the spigot and position against the shoulder.



Equalize the stress in the seal by lifting and releasing at a few points. The seal must sit evenly against the spigot shoulder all around the joint. Lubrication of the socket or spigot is not required .



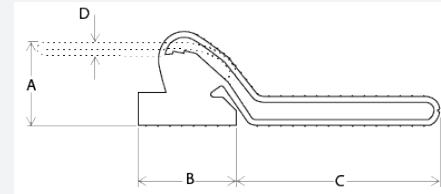
Centre the joint and assemble. The position of the seal in the final joint is shown in the figure.



If re-jointing is required ensure the sliding skin is drawn back to the position as shown in figure 1.

SEAL MARKING AND BOX LABELS

Each seal is marked with seal dimensions as well as the manufacturing date. The box is labelled with the corresponding data.



EXAMPLES OF SIZES (MM)

A - mm	B - mm	C - mm	D - mm	Joint gap
13.5	17.0	25.0	2.5	8.4±1.3
16.5	21.5	30.0	2.5	10.3±1.6
18.5	23.0	33.0	3.3	11.4±1.8
18.5	23.0	47.0	3.3	11.4±1.8
20.0	26.5	55.0	3.2	12.3±2.0
22.5	29.5	69.0	3.2	13.6±2.2
24.5	32.5	40.0	3.5	14.9±2.3
24.5	32.5	69.0	3.5	14.9±2.3
28.0	37.0	65.0	4.6	17.1±2.6
30.0	39.0	67.5	5.0	18.2±2.9
32.0	42.3	60.0	5.2	19.3±3.0
34.0	44.9	63.7	5.4	20.5±3.2
36.0	47.6	67.5	5.8	21.5±3.5

Please contact Trelleborg Pipe Seals for technical advice and joint design recommendations to meet your performance requirements. Pipes and manholes with Forsheda 146 shall always be laid in accordance with applicable standards and regulations

Examples of authorities Trelleborg Pipe Seals cooperates with:



WWW.TRELLEBORG.COM/PIPE-SEALS