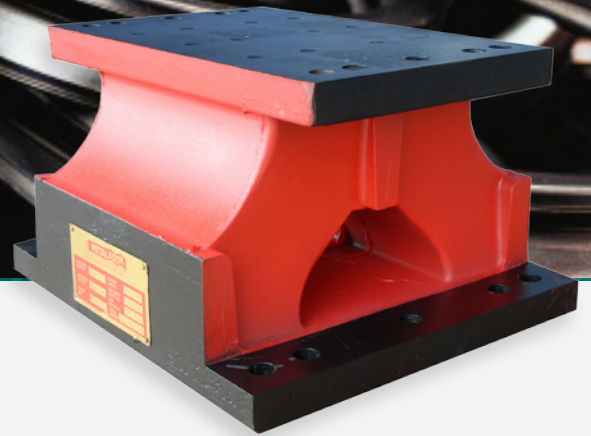




Super D Mounting



D-series Mounting

The "Super D" mounting range is designed primarily for heavy marine installations requiring increased shock capacity. These mountings operate at a nominal static deflection of 23 mm and can accommodate up to 50 mm shock excursions in any direction.

Buffer 15-3671 with low friction contact pad is often used with Super D mounts to limit movement under extreme shock forces, particularly as a non metallic rake and ramming stop, which is shown on the last page.

About Trelleborg Industrial AVS

Over 100 years of experience as Metalastik and Novibra, today Trelleborg Industrial AVS make improvements people can physically feel. From smoother travel to quieter, more efficient machines, we make life feel better. With quality, testing and compliance built in, we're in it for the long haul, ensuring your solution still works, over an extended and often arduous life-cycle.

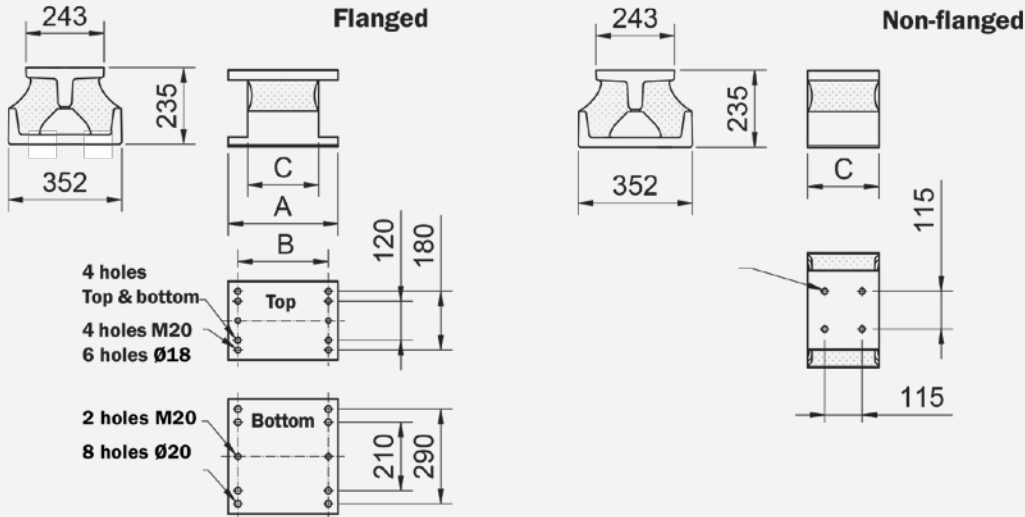
With three state-of-the-art manufacturing plants across the globe, our experience in rubber to metal bonding enhances several industries, including off-highway vehicles, rail and mass transit, marine and energy and general industry.

We offer an end-to-end service, to take you from concept through design, manufacturing and testing to delivery. This reduces the complexity of supply, helping you cut costs, mitigate risk and receive on time, on budget delivery.

Trelleborg IAVS is part of Trelleborg Group, which employs 15,000 people in over 40 countries. Whatever your challenge, whatever your role and wherever you are, we are nearby to offer expert knowledge and quality solutions.

Super D Mounting

Technical Drawing



Product Data

DRAWING No.	TYPE	DIMENSIONS (mm)			MAX LOAD (Kg)	VERTICAL STIFFNESS (N/mm)	DYNAMIC VERTICAL STIFFNESS (N/mm)	WEIGHT (kg)
		A	B	C				
17-1736	FLANGED 45 IRH	340	280	220	14.2	620	710	65
	FLANGED 55 IRH				21	920	1160	
	FLANGED 65 IRH				31.5	1375	1965	
17-1737	FLANGED 45 IRH	410	350	290	19	835	960	81
	FLANGED 55 IRH				29.5	1275	1180	
	FLANGED 65 IRH				44	1960	2650	
17-1738	FLANGED 45 IRH	480	420	420	30.5	1325	1520	97
	FLANGED 55 IRH				45	1960	2450	
	FLANGED 65 IRH				67.8	2940	3975	
17-1661	NON-FLANGED 45 IRH	-	-	220	14.2	750	855	48.5
	NON-FLANGED 55 IRH				21	920	1196	
	NON-FLANGED 65 IRH				31.5	1400	1918	
17-1662	NON-FLANGED 45 IRH	-	-	290	19	930	1060	64
	NON-FLANGED 55 IRH				29.5	1300	1690	
	NON-FLANGED 65 IRH				44	2300	3151	
17-1663	NON-FLANGED 45 IRH	-	-	360	30.5	1325	1510	97
	NON-FLANGED 55 IRH				45	2000	2600	
	NON-FLANGED 65 IRH				67.8	3000	4110	

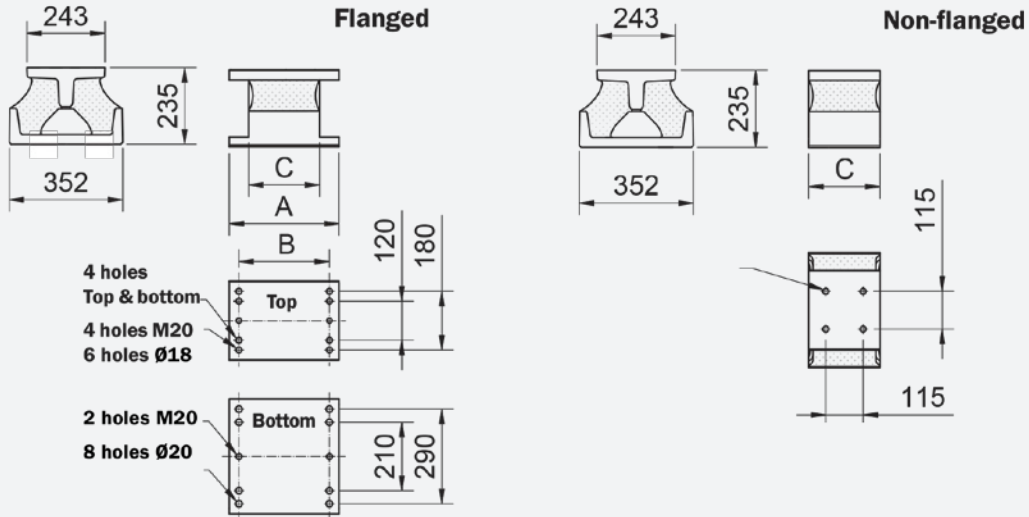
Nominal Stiffness Ratios

VERTICAL	LATERAL	LONGITUNDINAL
1	0.95	0.17



Super D Mounting

Technical Drawing



Product Data

TYPE				WEIGHT (kg)	RUBBER HARDN.	STATIC VERTICAL STIFFNESS (N/mm)	DYNAMIC VERTICAL STIFFNESS (N/mm)	MAXIMUM STATIC LOAD (kN)
	A	B	C					
17-1736	340	280	220	65	45	620	710	14.2
					55	920	1160	21
					65	1375	1965	31.5
17-1737	410	350	290	81	45	835	960	19
					55	1275	1180	29.5
					65	1960	2650	44
17-1738	480	420	420	97	45	1325	1520	30.5
					55	1960	2450	45
					65	2940	3975	67.8

Nominal Stiffness Ratios

VERTICAL	LATERAL	LONGITUNDINAL
1	0.95	0.17



WWW.TRELLEBORG.COM/ANTI-VIBRATION-SOLUTIONS

For further information visit our website or e-mail industrialavs@trelleborg.com

The content in this datasheet was correct at the time of printing, but is subject to change without notice.