



DX Mount



17/2092 | 17/2196

DX Mount

DX Mountings compliment the D Series and Super D mounting range to offer an increased static and shock deflection capacity. Typical applications includes heavy marine/Naval applications, where high load capacity is required along with high vibration and shock attenuation.

The increased shock capacity allows the potential use of commercially off the shelf products (COTS) in naval applications.

The mount is of a modular design and is based around a 17/2196 bonded unit, meaning it can be used in pairs where the individual bonded units are separate, ideal for where space is at a premium. Alternatively they can be assembled as pairs (Double DX) or quad (Quad DX) to offer higher load carrying capacity.

About Trelleborg Industrial AVS

Over 100 years of experience as Metalastik and Novibra, today Trelleborg Industrial AVS make improvements people can physically feel. From smoother travel to quieter, more efficient machines, we make life feel better. With quality, testing and compliance built in, we're in it for the long haul, ensuring your solution still works, over an extended and often arduous life-cycle.

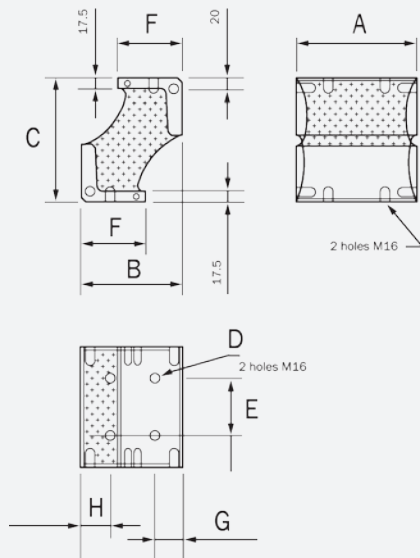
With three state-of-the-art manufacturing plants across the globe, our experience in rubber to metal bonding enhances several industries, including off-highway vehicles, rail and mass transit, marine and energy and general industry.

We offer an end-to-end service, to take you from concept through design, manufacturing and testing to delivery. This reduces the complexity of supply, helping you cut costs, mitigate risk and receive on time, on budget delivery.

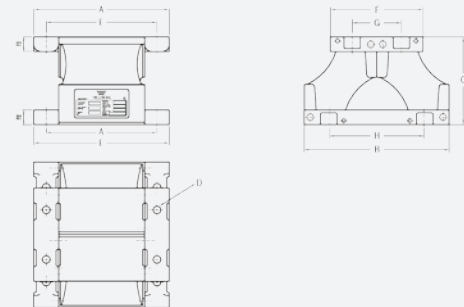
Trelleborg IAVS is part of Trelleborg Group, which employs 15,000 people in over 40 countries. Whatever your challenge, whatever your role and wherever you are, we are nearby to offer expert knowledge and quality solutions.

DX Mount 17/2092 | 17/2196

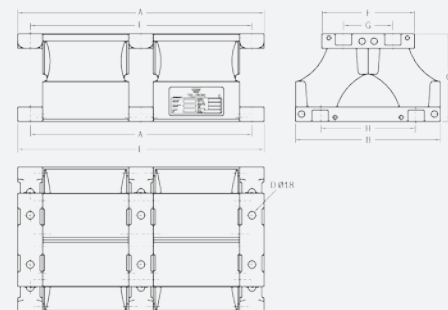
Technical Drawings



DOUBLE DX



QUAD DX



Product Data

DRAWING No.	TYPE	DIMENSIONS (mm)								MAX LOAD (kN)	VERTICAL STIFFNESS (kN/mm)	WEIGHT (kg)
		A	B	C	D	E	F	G	H			
17-2196	SINGLE DX 50 IRH	210	177	211	M16	100	113	50	50	10	0.32	17
17-2196	SINGLE DX 60 IRH	210	177	211	M16	100	113	50	50	15	0.50	17
17-2196	SINGLE DX 70 IRH	210	177	211	M16	100	113	50	50	22	0.75	17
17-2266	DOUBLE DX 50 IRH	330	353	211	18	270	226	120	230	20	0.64	50
17-2266	DOUBLE DX 60 IRH	330	353	211	18	270	226	120	230	30	1.00	50
17-2266	DOUBLE DX 70 IRH	330	353	211	18	270	226	120	230	45	1.50	50
17-2267	QUAD DX 50 IRH	600	353	211	18	540	226	120	230	40	1.28	94
17-2267	QUAD DX 60 IRH	600	353	211	18	540	226	120	230	60	2.00	94
17-2267	QUAD DX 70 IRH	600	353	211	18	540	226	120	230	90	3.00	94



WWW.TRELLEBORG.COM/INDUSTIRALAVS

For further information visit our website or e-mail industrialavs@trelleborg.com

The content in this datasheet was correct at the time of printing, but is subject to change without notice.