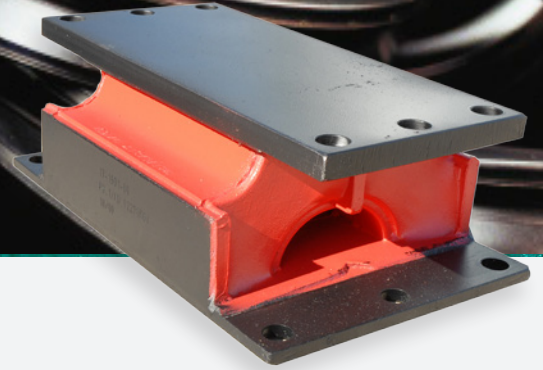




D-Series Mounting



17/1601 | 17/1602 | 17/1603

D-series Mounting

Metalastik® D Series Mountings are suitable for the suspension of heavy equipment or machinery where insulation against low frequency vibration is required with the additional benefit of excellent high frequency acoustic attenuation.

The relatively large rubber volume ensures high degrees of insulation against low frequency disturbing vibrations.

Differing stiffness rates in the two horizontal modes enables suspension characteristics to be optimized by appropriate orientation of the mountings.

The mountings can be used in conjunction with additional bonded rubber buffers to limit movement of the suspended equipment under shock loading.

Parts can be supplied to meet naval specification requirements and also with plain flanges for drilling by the customer.

Applications include :

- Medium speed marine propulsion engines
- Generator sets
- Gearboxes
- Pumps
- Compressors and refrigeration systems

About Trelleborg Industrial AVS

Over 100 years of experience as Metalastik and Novibra, today Trelleborg Industrial AVS make improvements people can physically feel. From smoother travel to quieter, more efficient machines, we make life feel better. With quality, testing and compliance built in, we're in it for the long haul, ensuring your solution still works, over an extended and often arduous life-cycle.

With three state-of-the-art manufacturing plants across the globe, our experience in rubber to metal bonding enhances several industries, including off-highway vehicles, rail and mass transit, marine and energy and general industry.

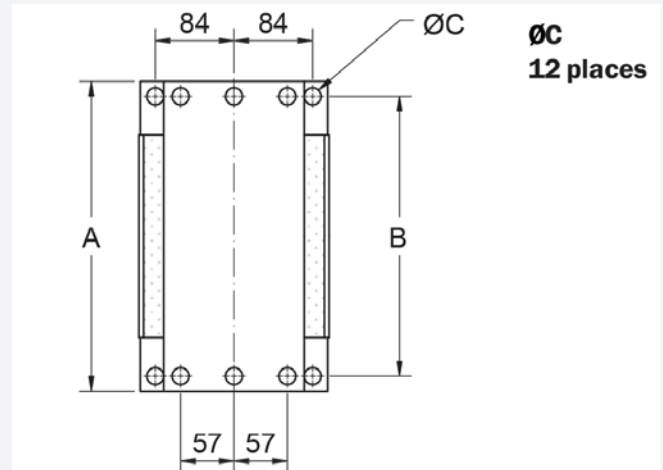
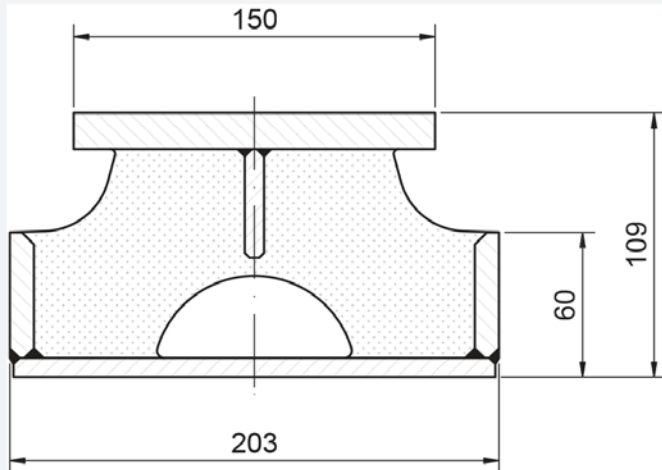
We offer an end-to-end service, to take you from concept through design, manufacturing and testing to delivery. This reduces the complexity of supply, helping you cut costs, mitigate risk and receive on time, on budget delivery.

Trelleborg IAVS is part of Trelleborg Group, which employs 15,000 people in over 40 countries. Whatever your challenge, whatever your role and wherever you are, we are nearby to offer expert knowledge and quality solutions.



D-series 17/1601 | 17/1602 | 17/1603

Technical Drawing



Product Data

DRAWING No.	TYPE	DIMENSIONS (MM)			MAXIMUM LOAD (kN)	STATIC VERTICAL STIFFNESS (N/mm)	DYNAMIC VERTICAL STIFFNESS (N/mm)	WEIGHT (kg)
		A	B	C				
17/1603	45 IRH				6.6	420	478	9
17/1603	55 IRH	210	178	9	9.5	630	785	9
17/1603	65 IRH				14.2	920	1240	9
17/1602	45 IRH				12.75	805	912	12
17/1602	55 IRH	267	235	12	19	1200	1500	12
17/1602	65 IRH				27.5	1710	2295	12
17/1601	45 IRH				14.2	880	1003	15
17/1601	55 IRH	330	298	18	21	1300	1625	15
17/1601	65 IRH				31.4	2000	2700	15



WWW.TRELLEBORG.COM/ANTI-VIBRATION-SOLUTIONS

For further information visit our website or e-mail industrialavs@trelleborg.com

The content in this datasheet was correct at the time of printing, but is subject to change without notice.