



# Cushyfloat HT



## Cushyfloat HT

The Cushyfloat™ HT (High Thrust) Mounting has been developed to meet the increased torque output and higher thrust load requirements of many modern marine power units. By careful design of the rubber section, relatively high degrees of flexibility in the vertical and lateral modes are combined with high stiffness in the longitudinal fore and aft direction, thereby affording good vibration isolation properties and minimum movement under thrust forces.

The design incorporates bump and rebound control features which limit excessive movements under shock loading. The mountings have a high inbuilt tensile strength which renders them very suitable for the suspension of power units in lifeboat applications.

The top metal cover gives protection against oil contamination and the protective finish resists corrosion attack. Two basic designs and different rubber compounds allow loads between 85 and 1070 kg to be accommodated.

## About Trelleborg Industrial AVS

Over 100 years of experience as Metalastik and Novibra, today Trelleborg Industrial AVS make improvements people can physically feel. From smoother travel to quieter, more efficient machines, we make life feel better. With quality, testing and compliance built in, we're in it for the long haul, ensuring your solution still works, over an extended and often arduous life-cycle.

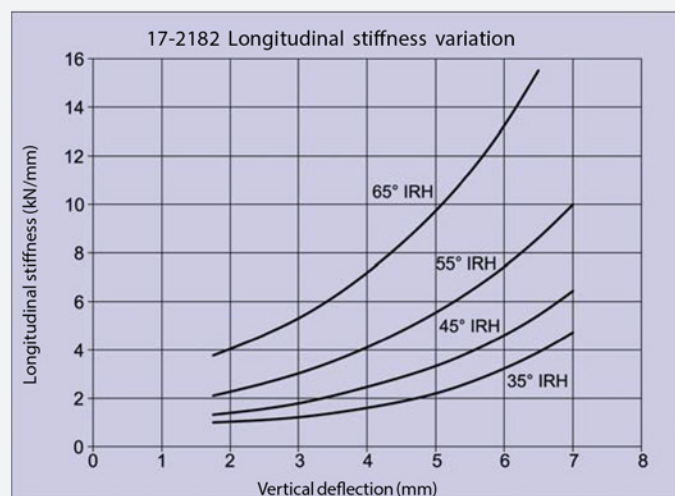
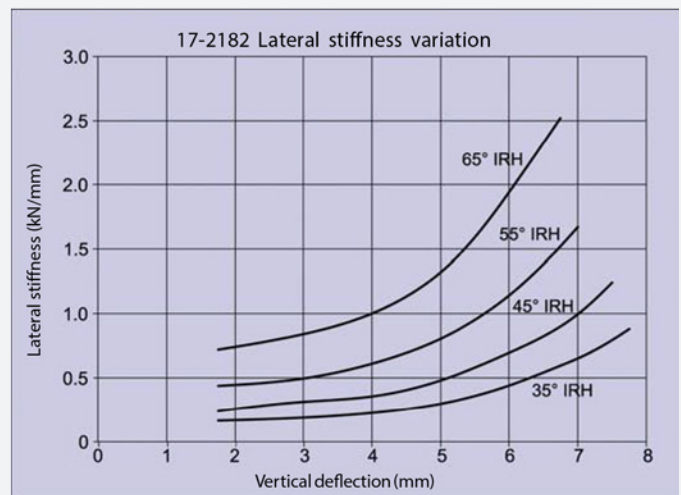
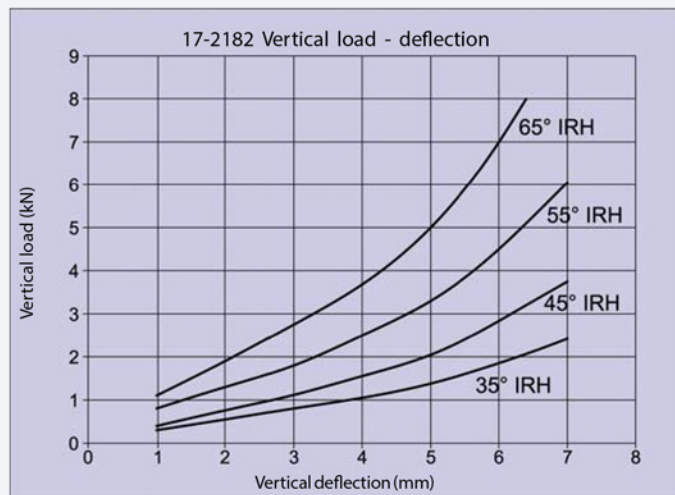
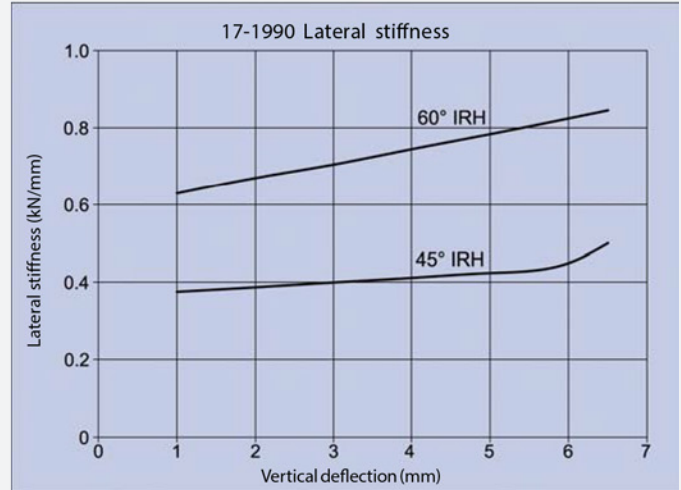
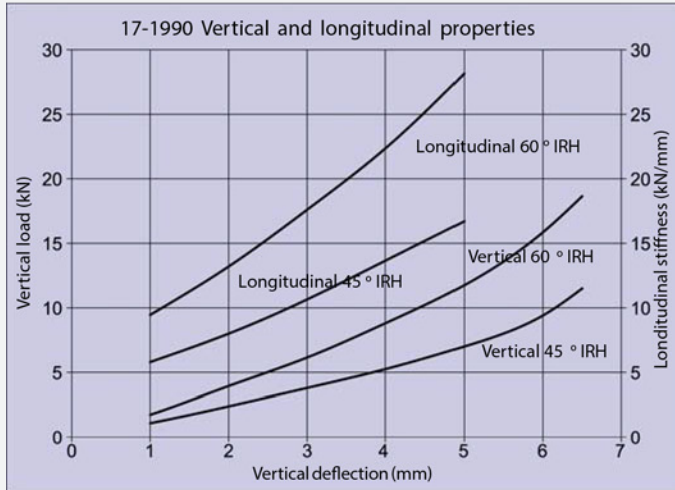
With three state-of-the-art manufacturing plants across the globe, our experience in rubber to metal bonding enhances several industries, including off-highway vehicles, rail and mass transit, marine and energy and general industry.

We offer an end-to-end service, to take you from concept through design, manufacturing and testing to delivery. This reduces the complexity of supply, helping you cut costs, mitigate risk and receive on time, on budget delivery.

Trelleborg IAVS is part of Trelleborg Group, which employs 15,000 people in over 40 countries. Whatever your challenge, whatever your role and wherever you are, we are nearby to offer expert knowledge and quality solutions.



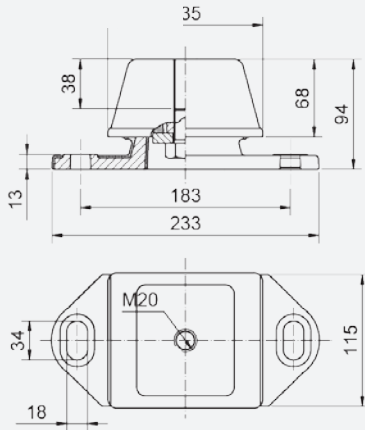
# Cushyfloat HT



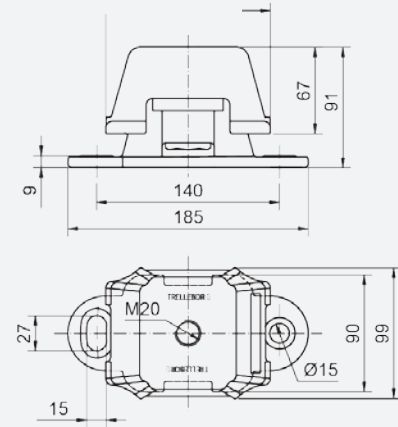
## Cushyfloat HT

### Technical Drawing

7-1990



17-2182



All dimensions in mm

### Product Data

DRAWING No.	PRODUCT No.	TYPE	MINIMUM VERTICAL LOAD (kg)	MAX VERTICAL LOAD (kg)	STATIC STIFFNESS (kN/mm)	DYNAMIC STIFFNESS (kN/mm)	MINIMUM COMPRESSION (mm)	MAX COMPRESSION (mm)	WEIGHT (kg)
17-2182-1	10-01143	35 IRH	85	140	0.4	0.42	3	5	3.4
17-2182-1	10-01144	45 IRH	125	209	0.57	0.66	3	5	3.4
17-2182-1	10-03014	55 IRH	204	339	0.96	1.2	3	5	3.4
17-2182-1	10-02930	65 IRH	301	499	1.53	2.06	3	5	3.4
17-1990-1	10-01150	45 IRH	150	571	1.6	1.85	1	4	6.2
17-1990-1	10-03146	60 IRH	296	1070	3	3.9	1	4	6.2

### Nominal stiffness ratios

DRAWING No.	VERTICAL	LATERAL	LONGITUDINAL
17-1990	1	0.25	9
17-2182	1	0.85	6

N.B. Stiffness values quoted refer to tangent stiffness at 5 mm static deflection for 17-2182 and at 4 mm for 17-1990 and are for guidance purposes only.